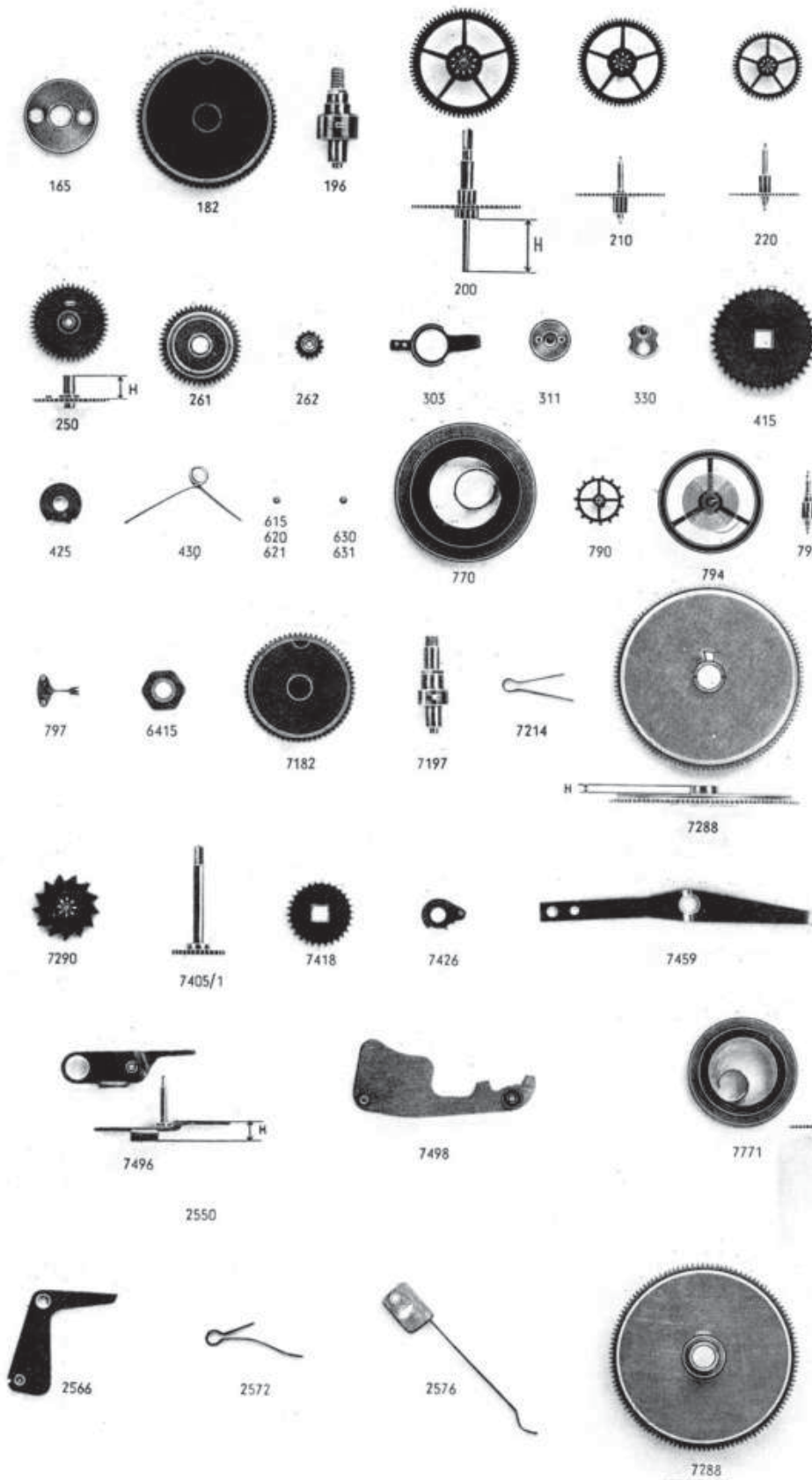
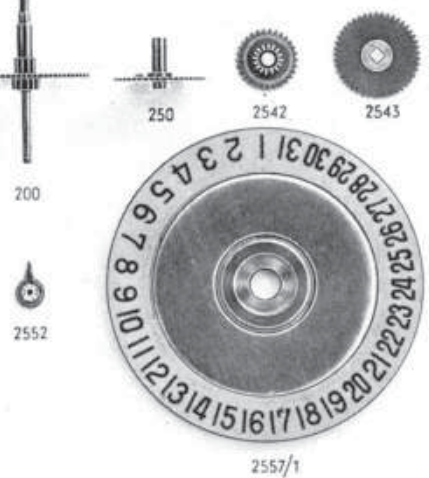


FACTORY SERVICE PARTS > IMHOF

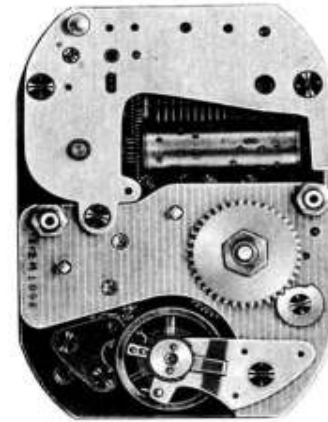
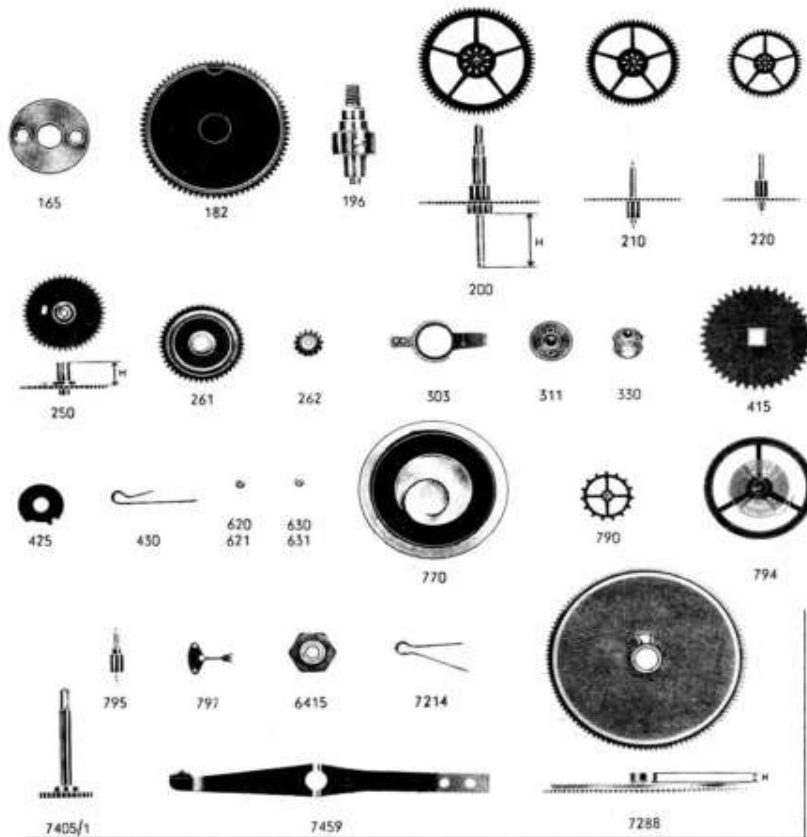


Movement with pin lever escapement
 Diameter 44,8 mm.
 1 day (40 hours)
 Alarm
 Key winding

Cal. 212 D - Cal. 219 D



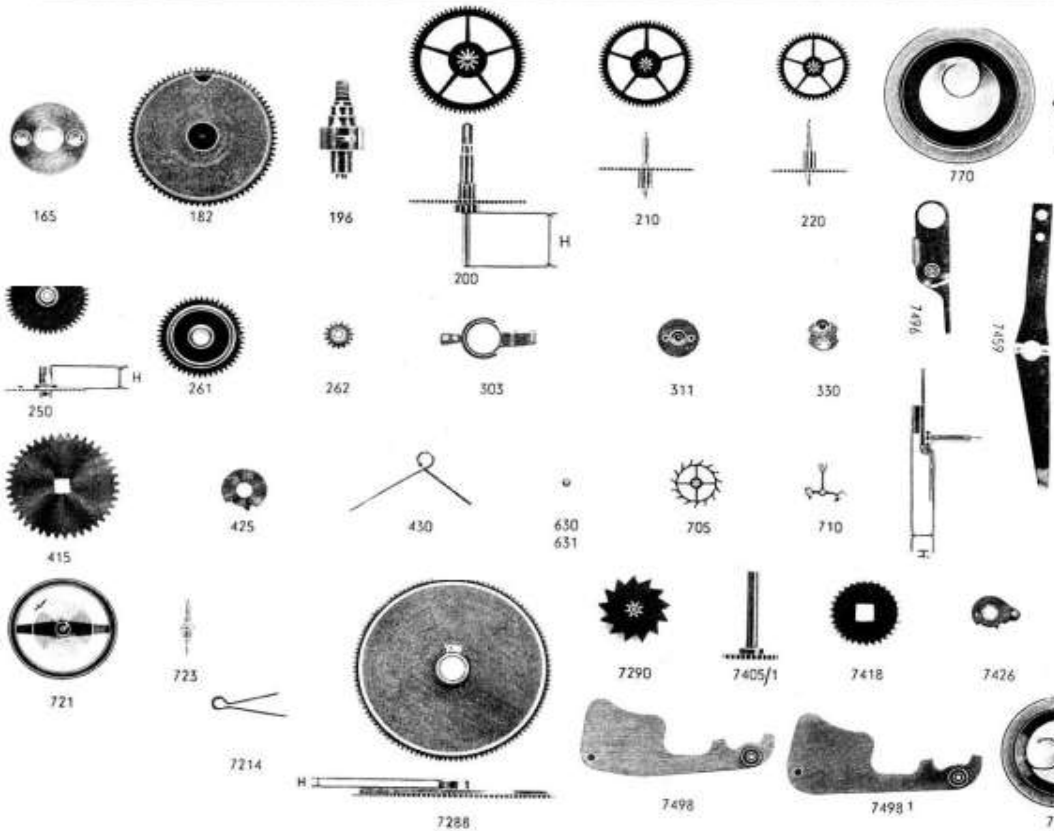
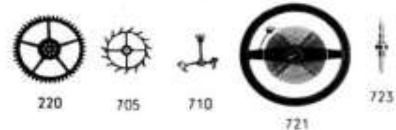
FACTORY SERVICE PARTS > IMHOF



Movement with pin lever escapement
 61 × 43.2 millimeters
 1 day (40 hours)
 Alarm with musical device
 Key winding

Cal. 219 M

Same description as cal. 212 M
 but with lever escapement



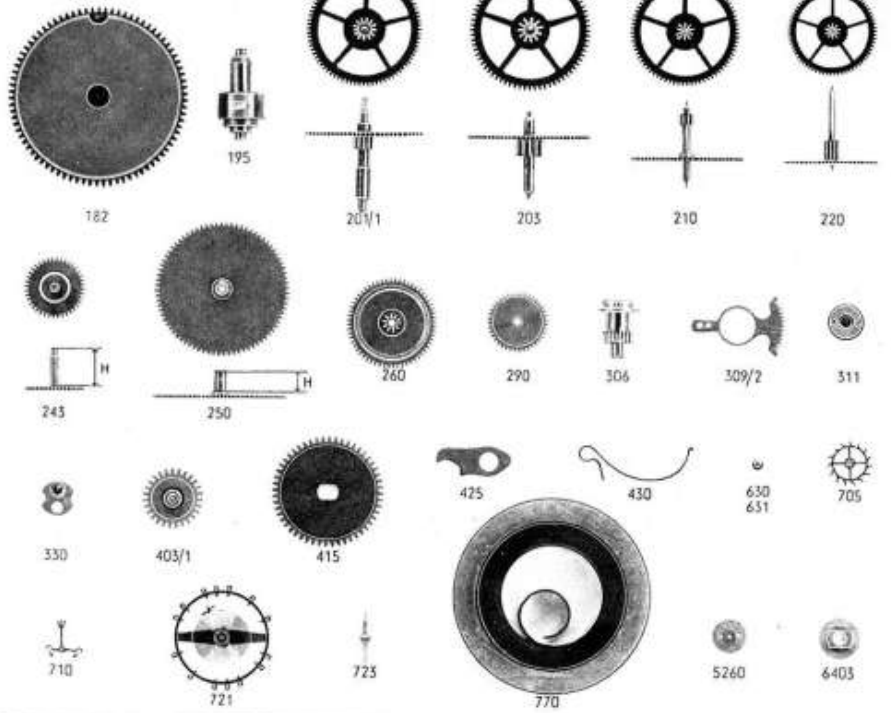
Cal. 219



Movement with lever escapement
 Diameter 44.8 millimeters
 1 day (40 hours)
 Alarm
 Key winding

FACTORY SERVICE PARTS > IMHOF

Cal. 244 H

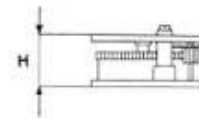


Cal. 244



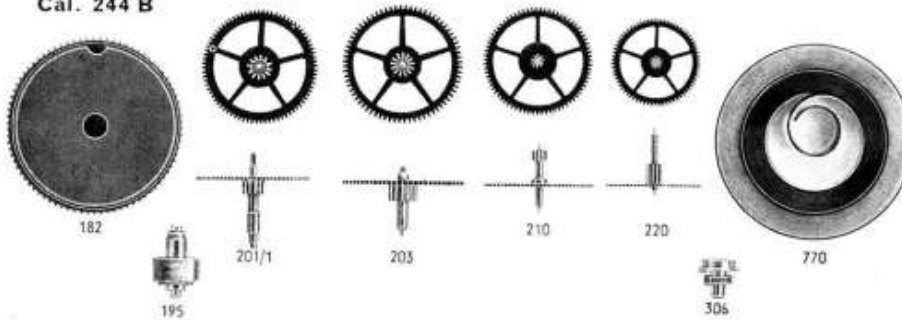
Movement with lever escapement
Diameter 44,8 millimeters
8 days (230 hours)
Key winding

This caliber is made in two heights



Cal. 244 H, 13,05 mm.
Cal. 244 B, 10,44 mm.

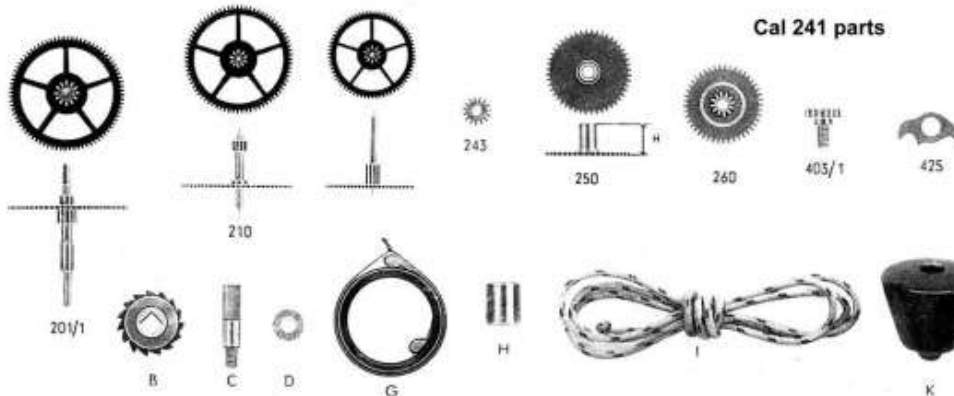
Cal. 244 B



Cal. 244 SC



Cal 241 parts



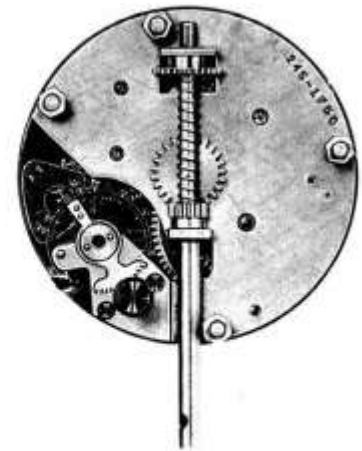
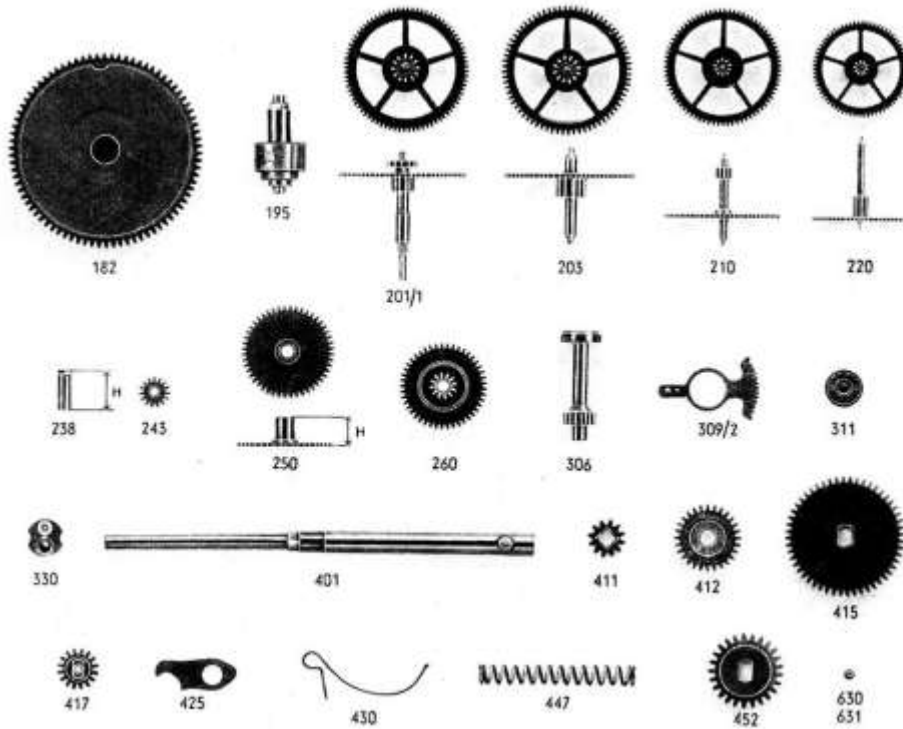
Cal. 241



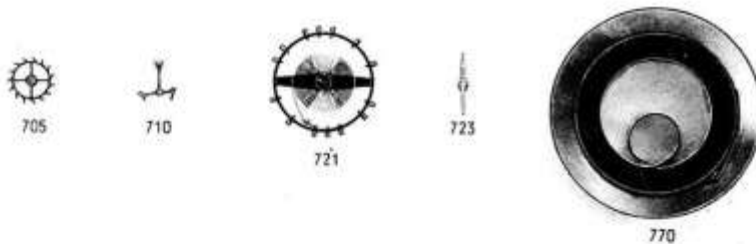
Movement with lever escapement
Diameter 44,8 millimeters
8 days (230 hours)
Draw winding (patent system)

FACTORY SERVICE PARTS > IMHOF

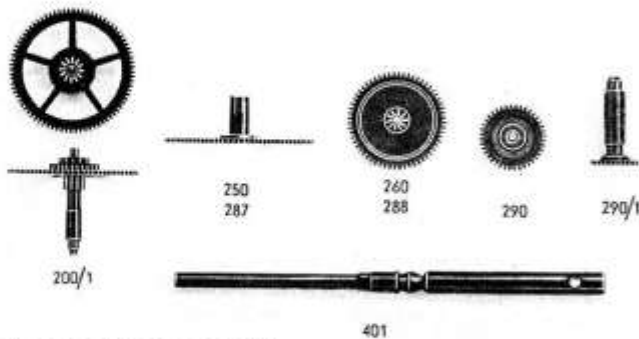
Cal. 245



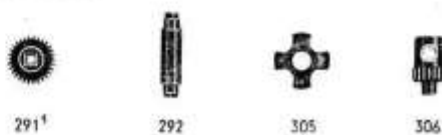
Movement with lever escapement
Diameter 44,8 millimeters
8 days (230 hours)
Stem winding and setting



Cal. 245 DF



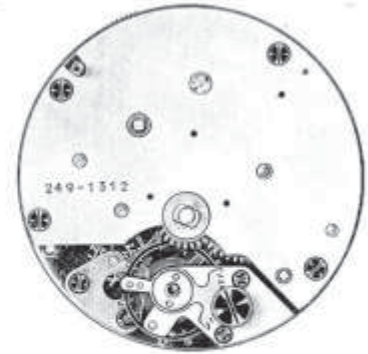
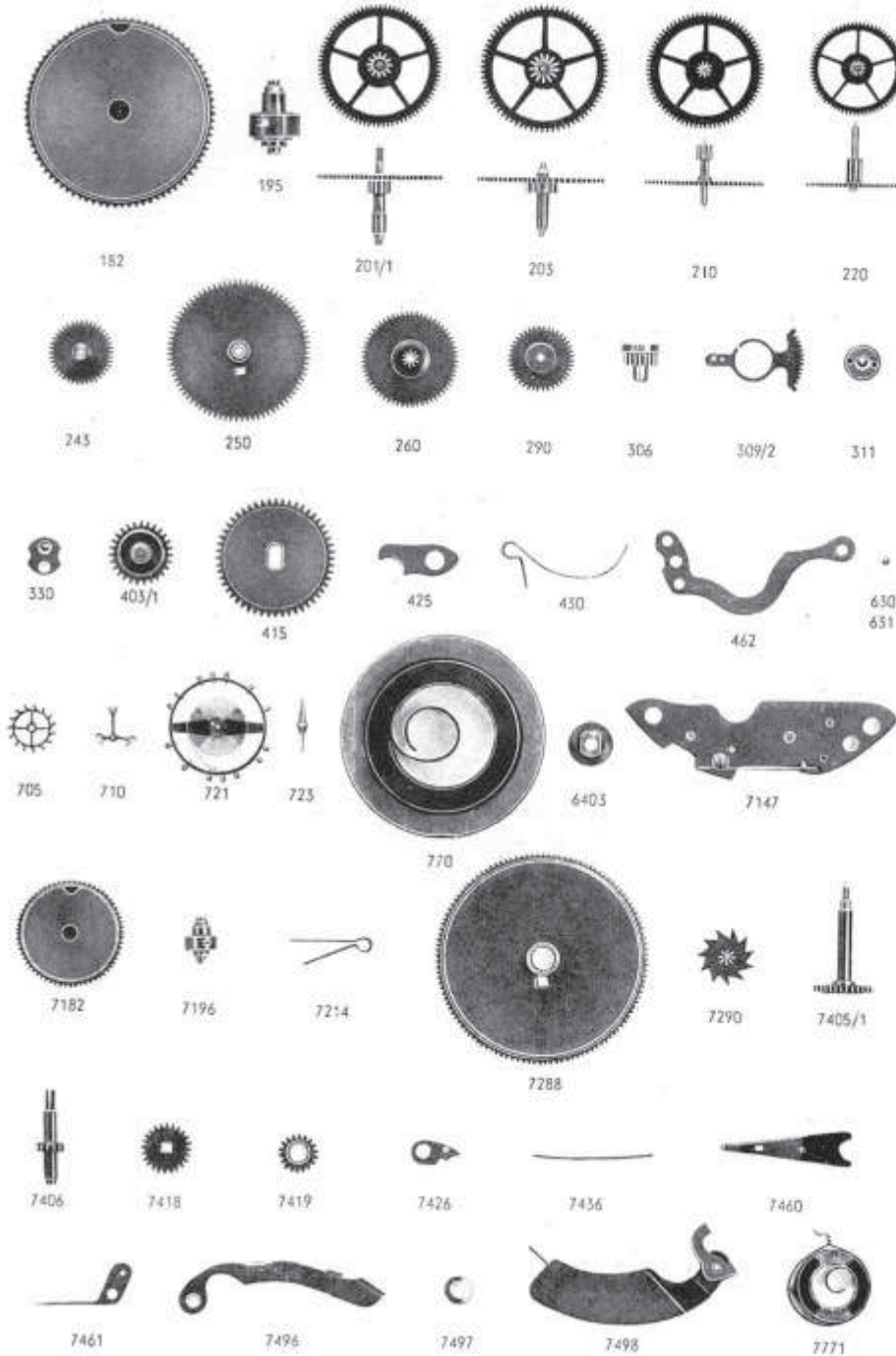
Other parts same as 245



Movement with lever escapement
Diameter 44,8 millimeters
8 days (230 hours)
Hands on double face
Stem winding and setting

FACTORY SERVICE PARTS > IMHOF

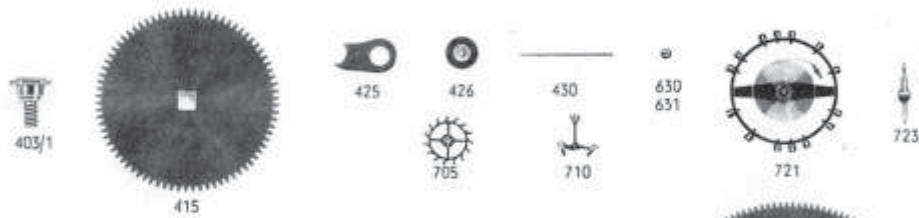
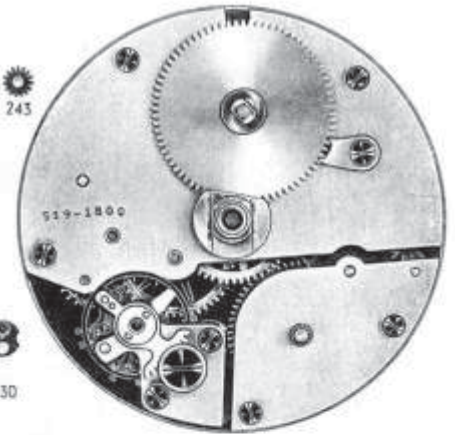
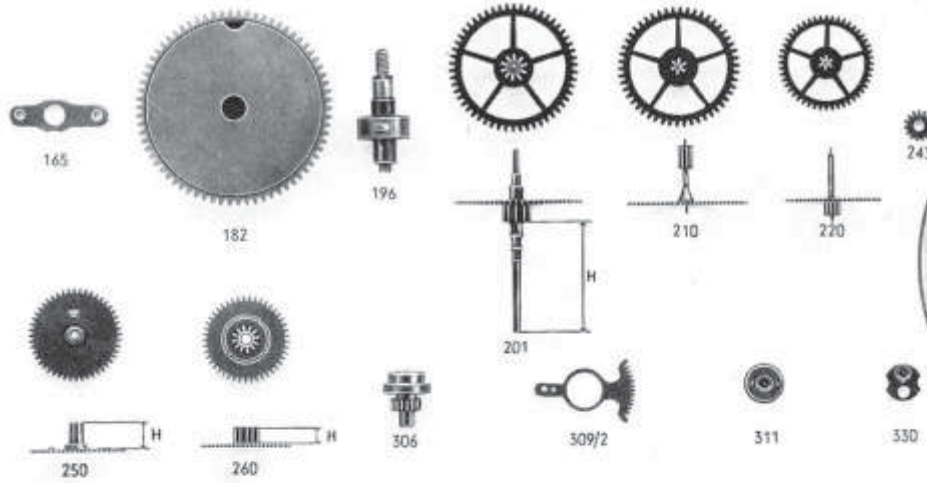
Cal. 249



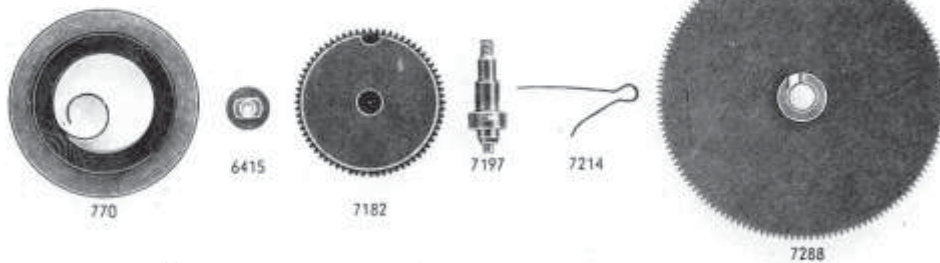
Movement with lever escapement
 Diameter 44.8 millimeters
 8 days (230 hours)
 Alarm
 Key winding

FACTORY SERVICE PARTS > IMHOF

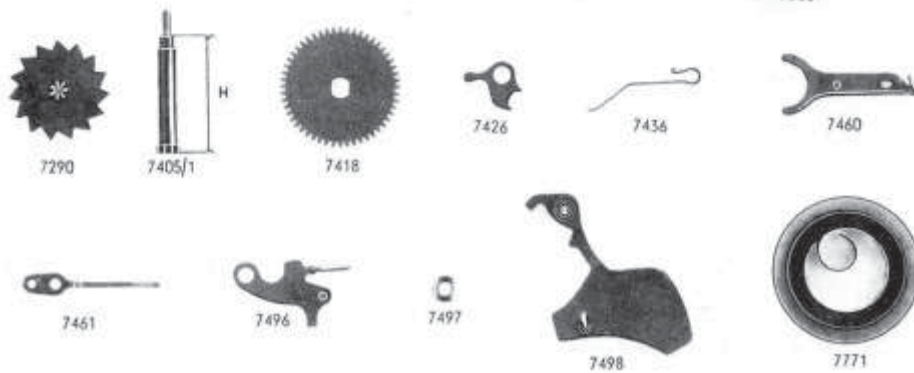
Cal. 519



Movement with lever escapement
 Diameter 56 millimeters
 1 day (40 hours)
 Alarm
 Key winding

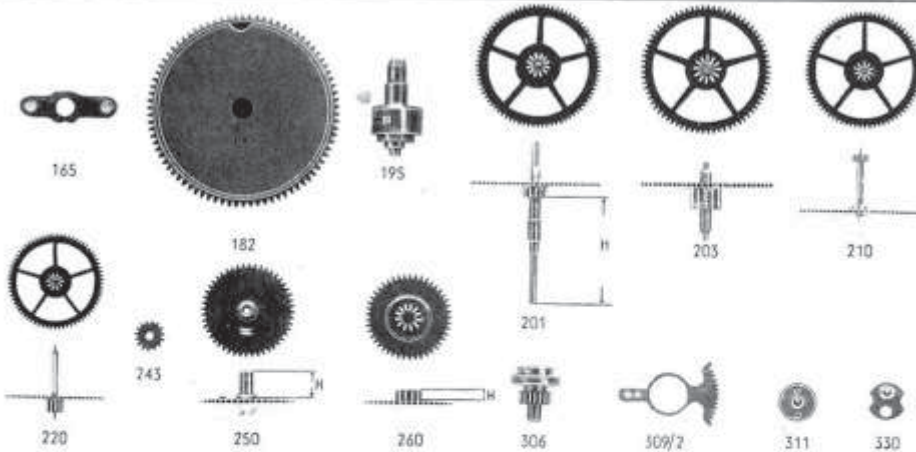


Old form of bridges

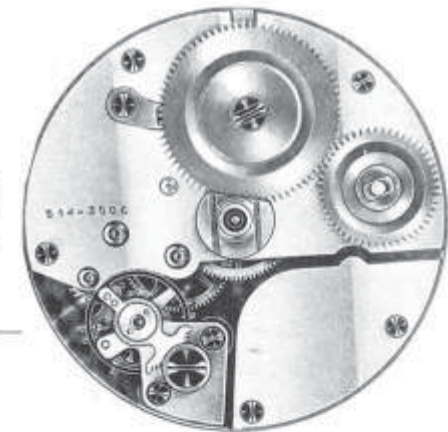
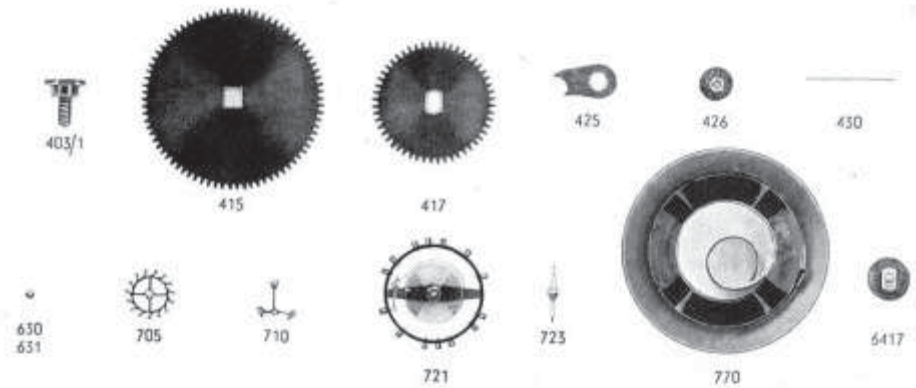


FACTORY SERVICE PARTS > IMHOF

Cal. 549



Cal. 544

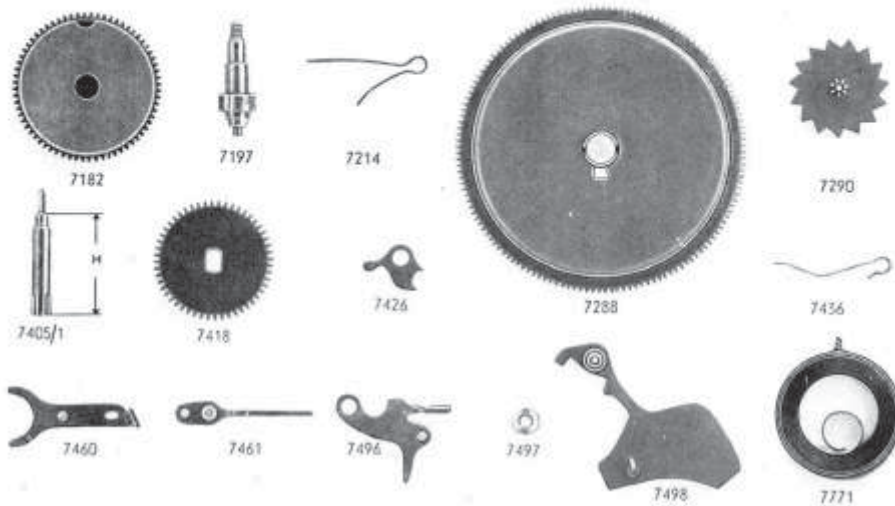


Cal. 549

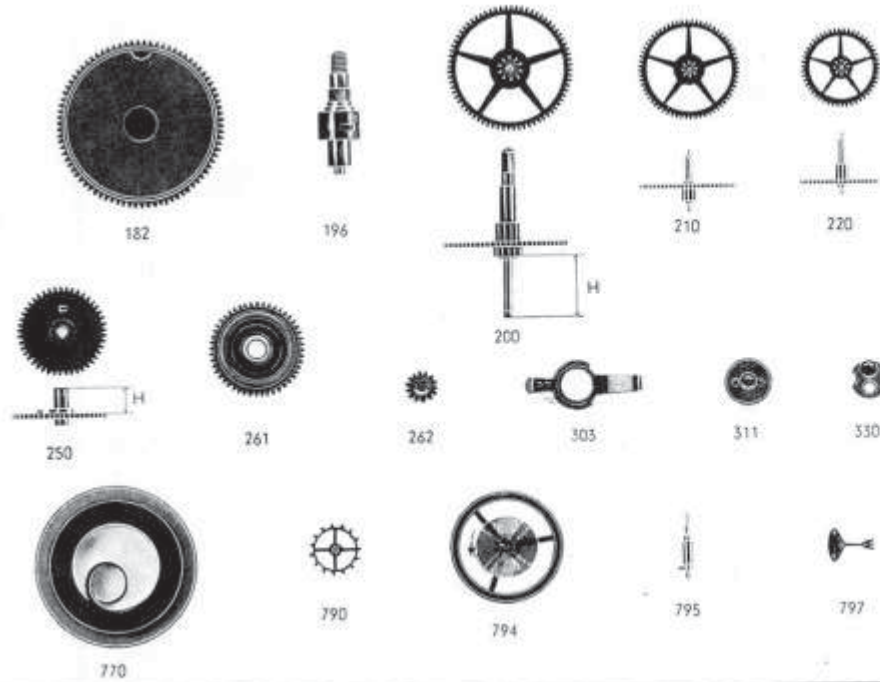
Movement with lever escapement
Diameter 56 millimeters
8 days (230 hours)
Alarm
Key winding

Cal. 544

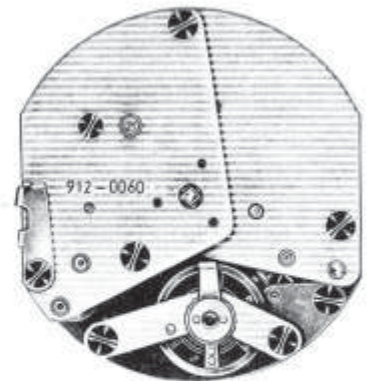
Movement with lever escapement
Diameter 56 millimeters
8 days (230 hours)
Key winding
Special adjustment for 8 days* chrono-
meters, with rating certificate



FACTORY SERVICE PARTS > IMHOF

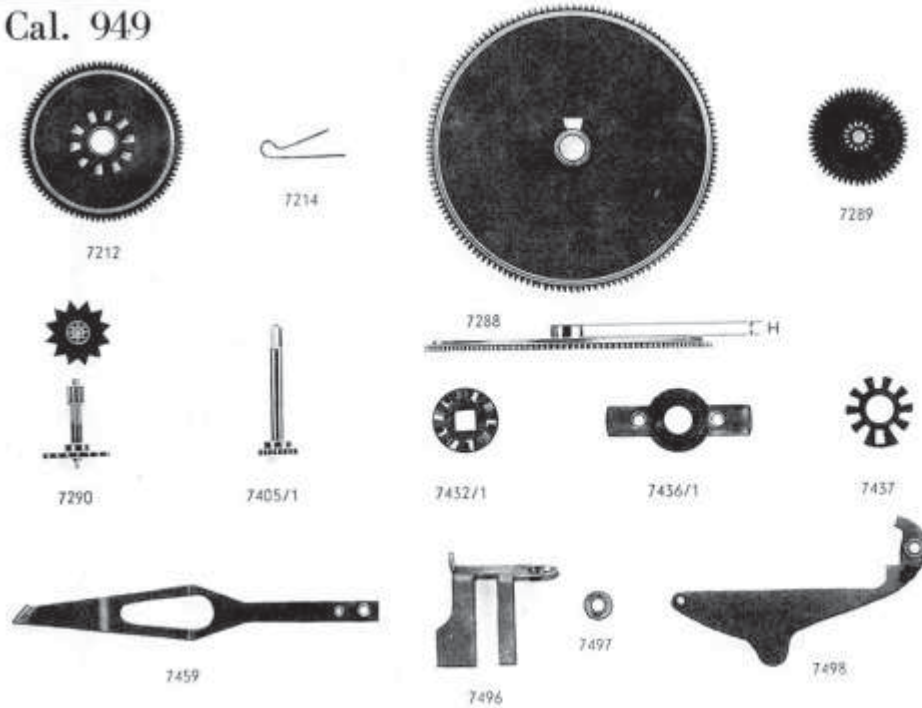


Cal. 912



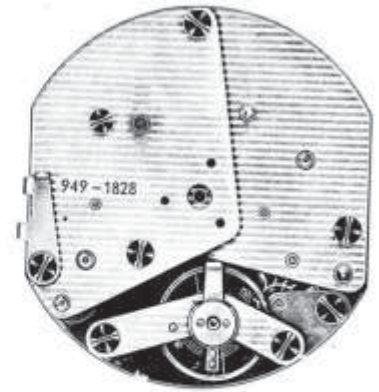
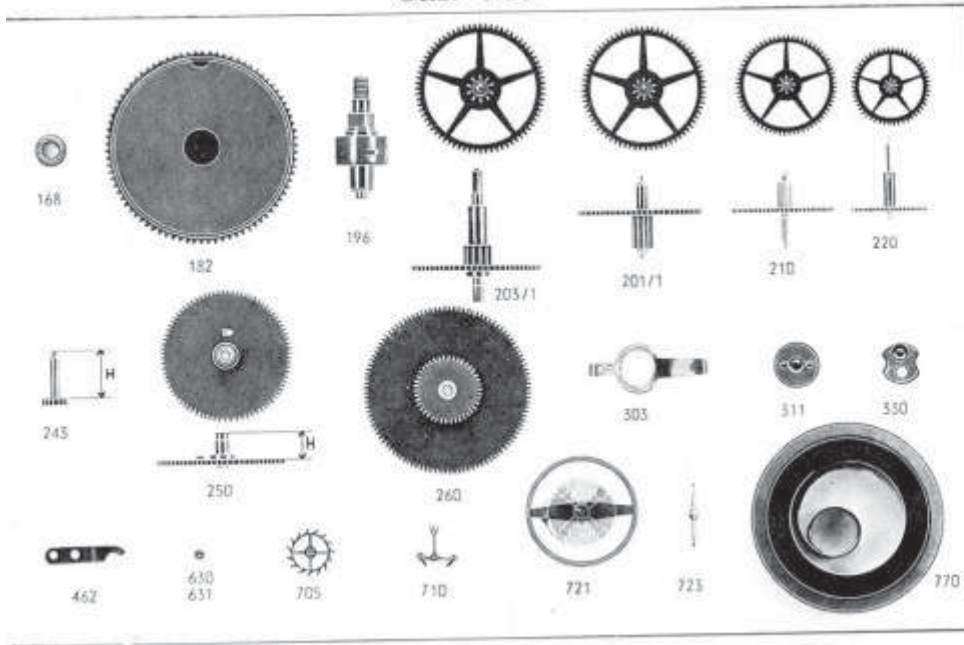
Movement with pin lever escapement
 44.8×49.5 mm.
 1-day (40 hours)
 Alarm
 1 key winding

Cal. 949



FACTORY SERVICE PARTS > IMHOF

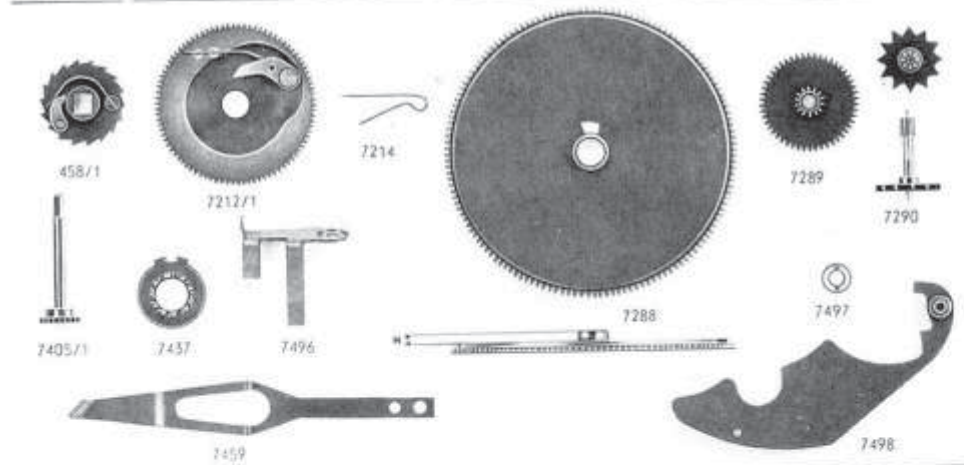
Cal. 949



Movement with lever escapement
 44,8 × 49,5 mm.
 8-day (230 hours)
 Alarm
 1 key winding

Cal. 942

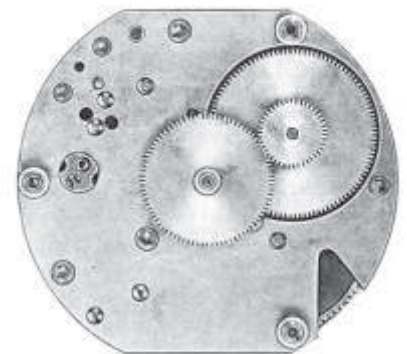
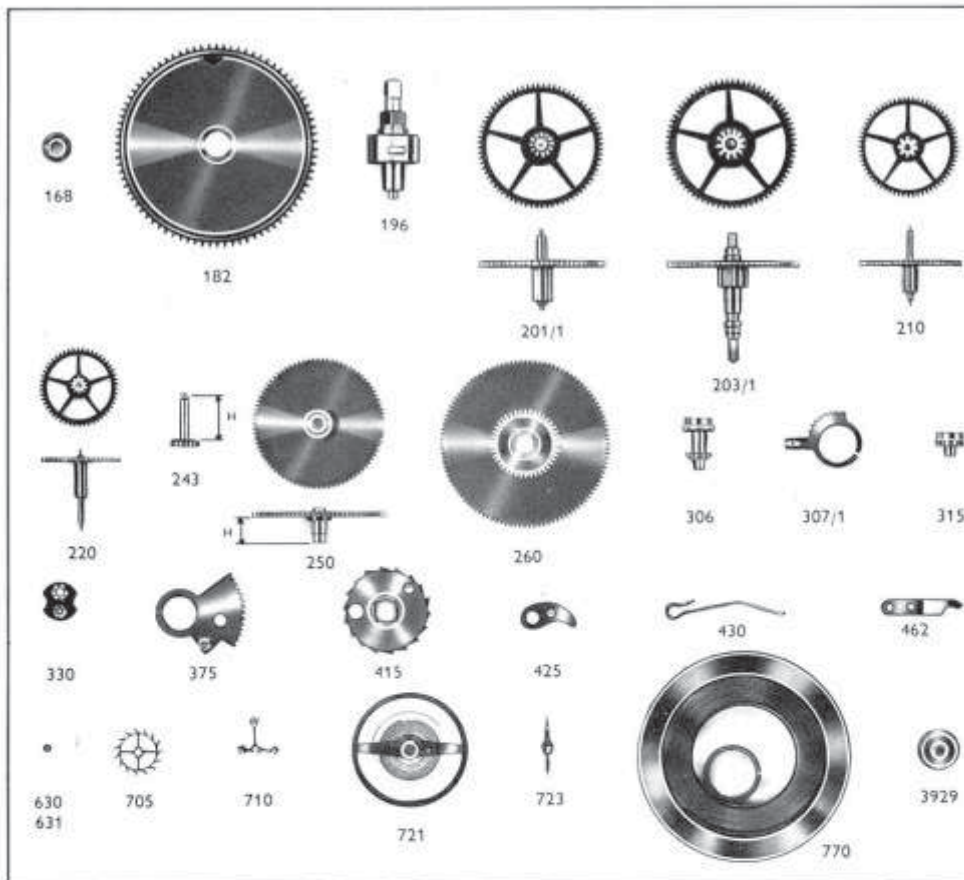
Same description as cal. 949
 but with pin-lever escapement



Cal. 942 Pin Lever Escapement

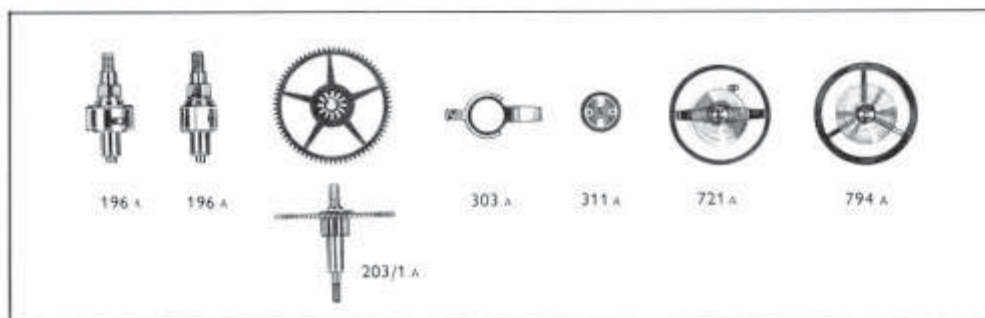


Cal. 944



Cal. 949 - Cal. 942 - Cal. 944 - Cal. 912

*Anciennes fournitures ★ Old parts ★ Antiguas fornitureas
Alte Bestandteile ★ Vecchie forniture*



FACTORY SERVICE PARTS > IMHOF

Cal. 948

Movement with lever escapement
 44,8 x 60,10 mm,
 8-day (230 hours)
 Striking the hour and half-hour
 1 key winding

