

MIYOTA

MOVEMENT SPECIFICATIONS
CAL. T270 QUARTZ COMBINATION MOV'T
BY CITIZEN WATCH CO., LTD. JAPAN
WORLD TIME FUNCTION
MANUFACTURED IN JAPAN

1. BASIC SPECIFICATION

(1) CAL. NO.

*TO CONFIRM WITH MOV'T DRAWING ATTACHED

CALIBRE	T270
Size*mm	26.0mm × 27.4mm (Φ21.5mm)
Total height	4.91mm
Hands	3 HANDS
Battery life**	Approximate 2 Years
Battery	SR927W

** Varied from functions that operated.

(2) Time standard

Type of quartz : Tuning fork type quartz crystal

Frequency : 32,768Hz

Accuracy : **+/-20 sec/month** worn under normal circumstances

(3) Battery installed

Type of battery : See above: JAPAN-MADE

(4) Additional Mechanisms & Features:

TIME	<ul style="list-style-type: none">- Analog hands indication for Time (Hr, Min, Sec)- Digital indication for City name, time of selected City, Summer time (ON / OFF)- 12Hr / 24Hr display selection- Setting of Summer time for each indicated City
CALENDAR	<ul style="list-style-type: none">- Calendar indication (Month, Date, Day, City)- Year indication (4 digits indication from Year 2006 to 2099)- Automatic calendar correction at the end of month- Automatic day counting
ALARM	<ul style="list-style-type: none">- Setting alarm time indication (Hr, Min, City)- Alarm monitor indication
CHRONOGRAPH	<ul style="list-style-type: none">- Chronograph measurement time indication (up to 12 hours) - Hr, Min, Sec, 1/100 sec
TIMER	<ul style="list-style-type: none">- Remaining time indication (Min, Sec, Setting minute)- Timer setting time : 1min unit (from 01min to 60min)

Setting of City and time zone difference

NAME OF CITY		TIME ZONE DIFFERENCE
UTC	Coordinate Universal Time	± 0
LON	London	
PAR	Paris	+ 1
ROM	Rome	
BER	Berlin	
MAD	Madrid	
JNB	Johannesburg	+ 2
MOW	Moscow	+ 3
DXB	Dubai	+ 4
KHI	Karachi	+ 5
DEL	Delhi	+ 5.5
BKK	Bangkok	+ 7
SIN	Singapore	+ 8
HKG	Hong Kong	
BJS	Beijing	
TYO	Tokyo	+ 9
SYD	Sydney	+ 10
GUM	Guam	
NOU	Noumea	+ 11
AKL	Auckland	+ 12
HNL	Honolulu	- 10
ANC	Anchorage	- 9
LAX	Los Angeles	- 8
SAN	San Diego	
DFW	Dallas	- 6
CHI	Chicago	
MEX	Mexico	
NYC	New York City	- 5
SAO	Sao Paulo	- 3
BUE	Buenos Aires	

(5) Others

Driving systems : Two-pole stepping motor
 Number of Jewel : (0) jewel

(6) Balanceable weight of hand

Minute hand Max. 0.4 $\mu\text{N}\cdot\text{m}$
 Second hand Max. 0.07 $\mu\text{N}\cdot\text{m}$

(7) Important notice (Outer components)

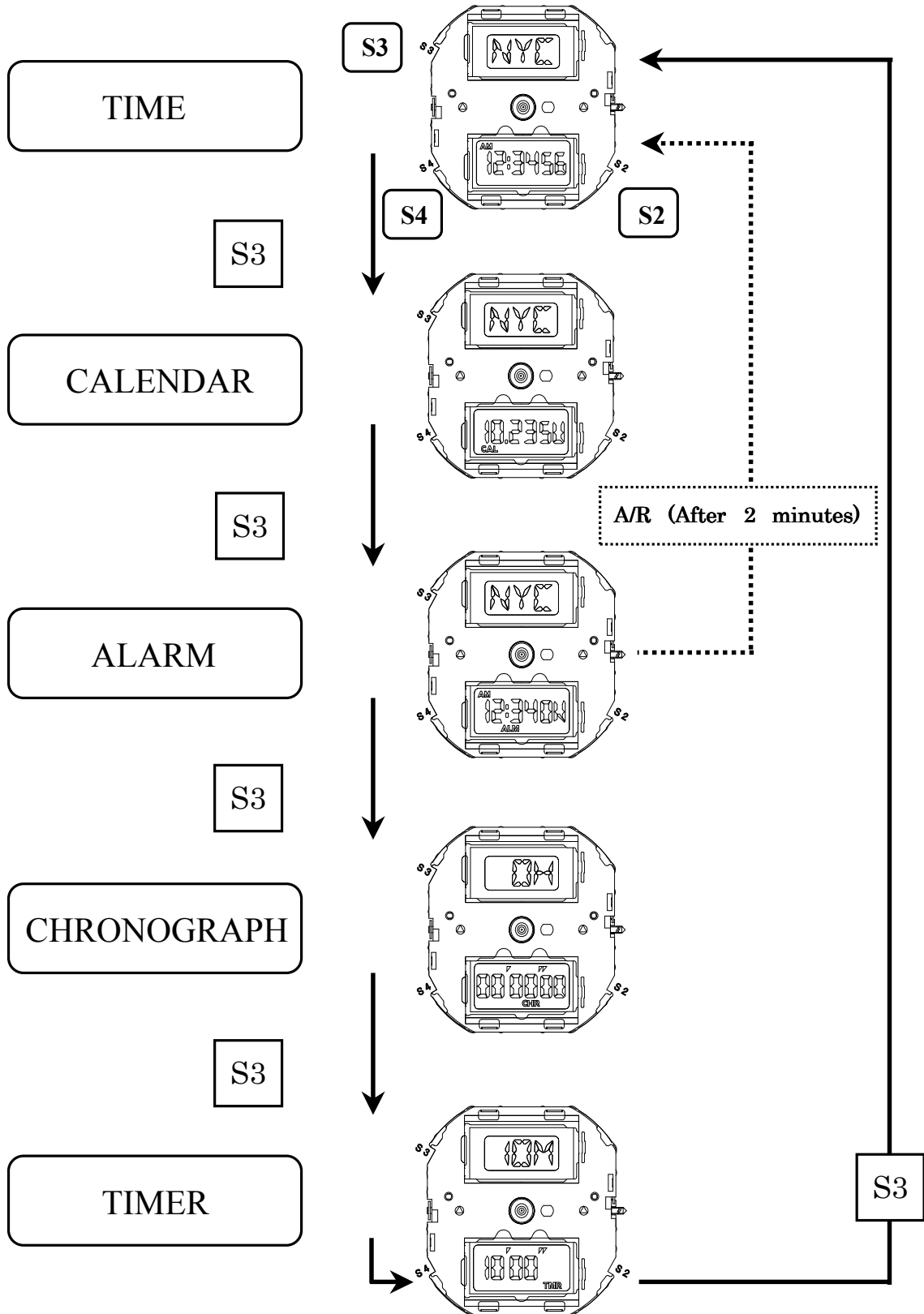
All of the outer components for Cal. T270 are interchangeable with T240 and T241 except LCD window opening of dial.

(The compatibility mentioned above is subjected to the accuracy of such components.)

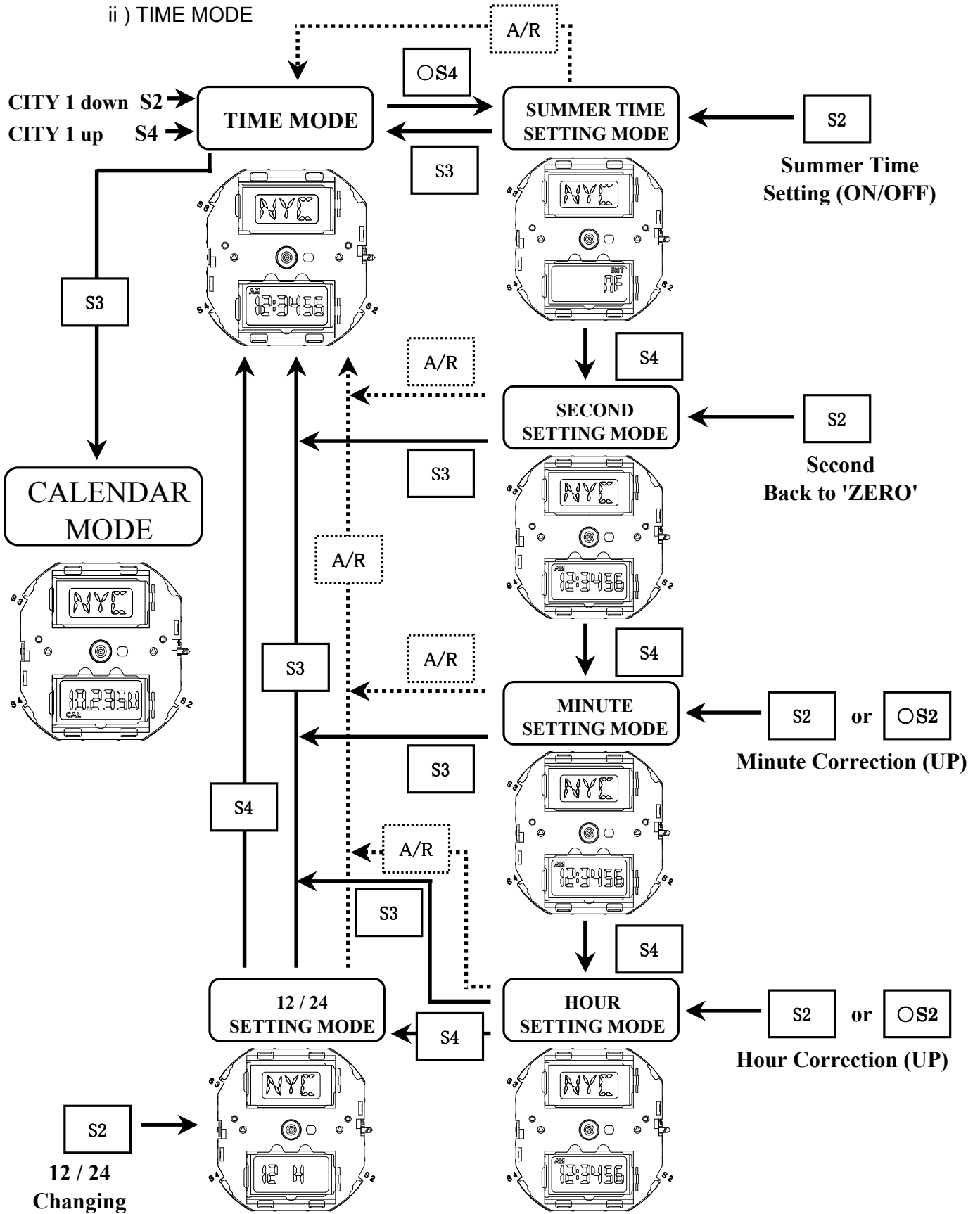
*** These specifications might be changed without prior notice.

(8) Setting of functions

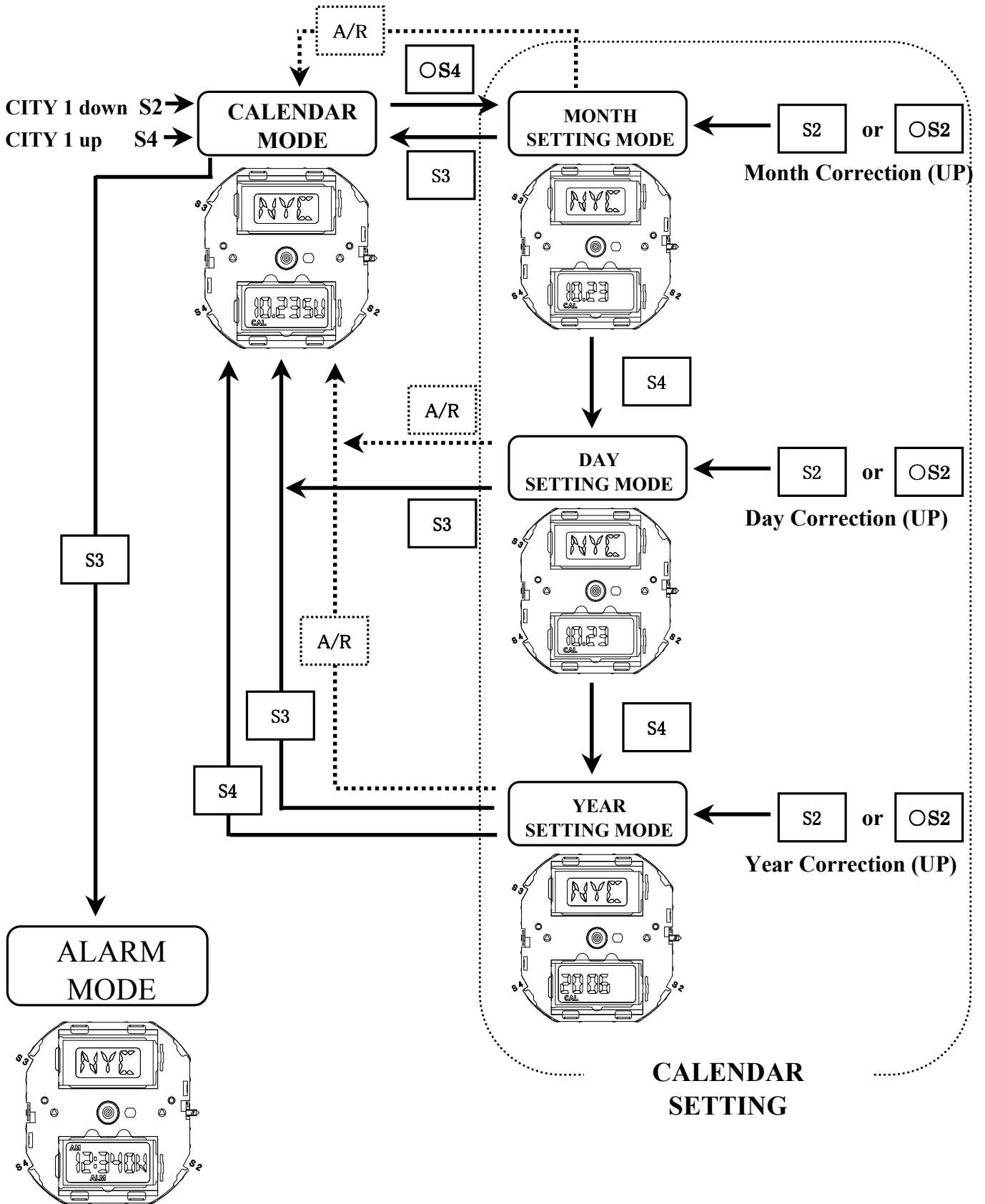
i) HOW TO SELECT THE FUNCTIONS (MODE CHANGE)



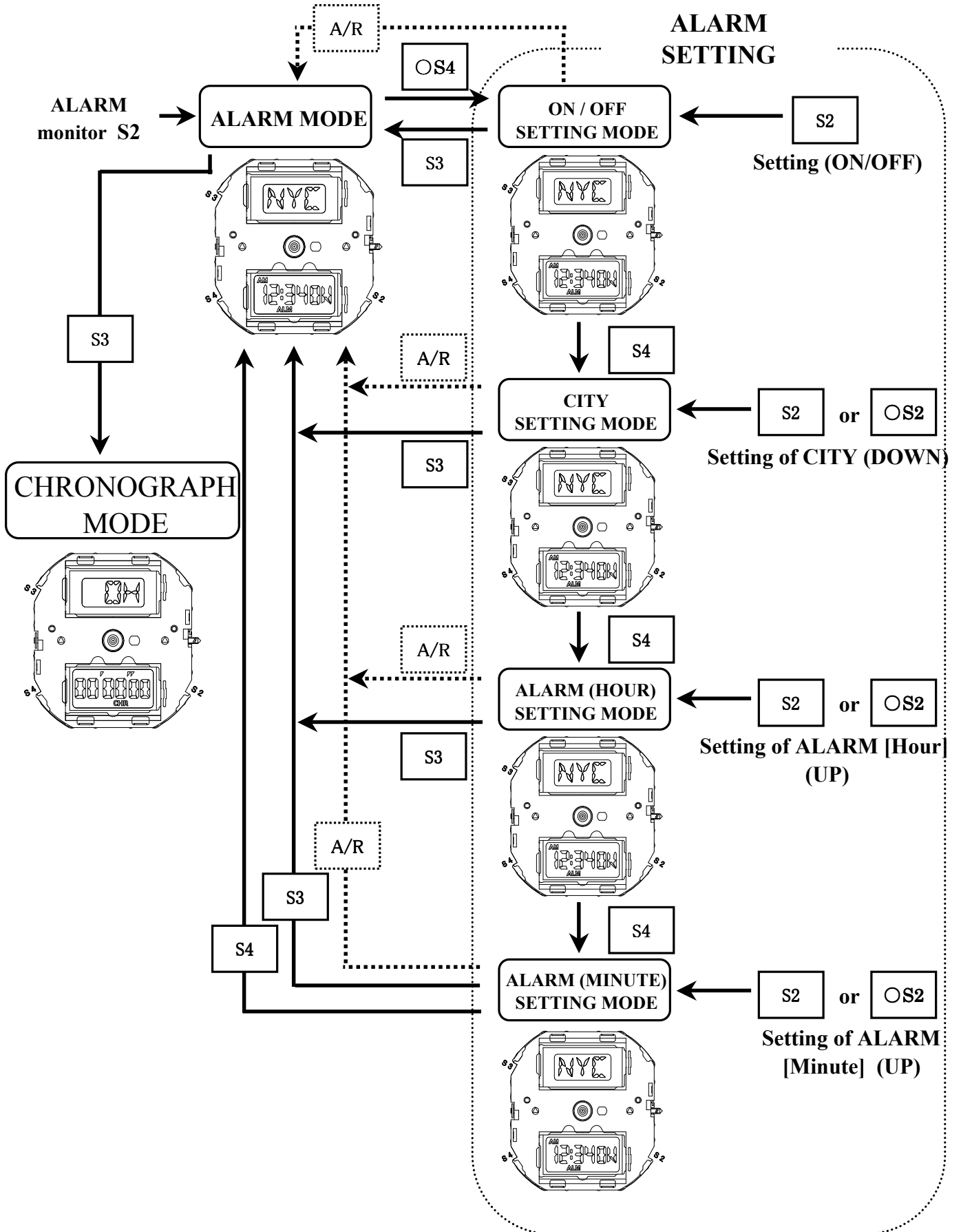
ii) TIME MODE



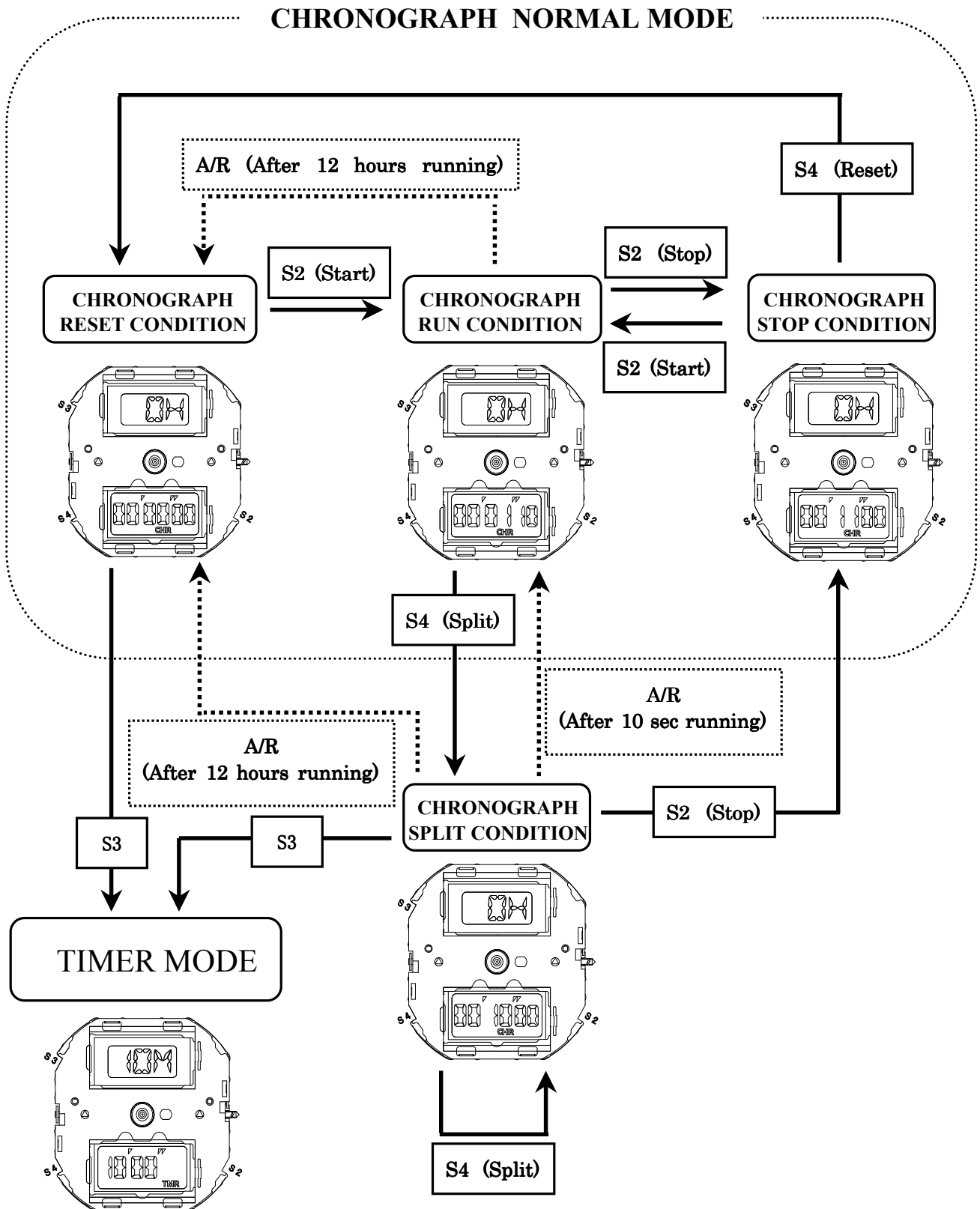
iii) CALENDAR MODE



iv) ALARM MODE



v) CHRONOGRAPH MODE



vi) TIMER MODE

