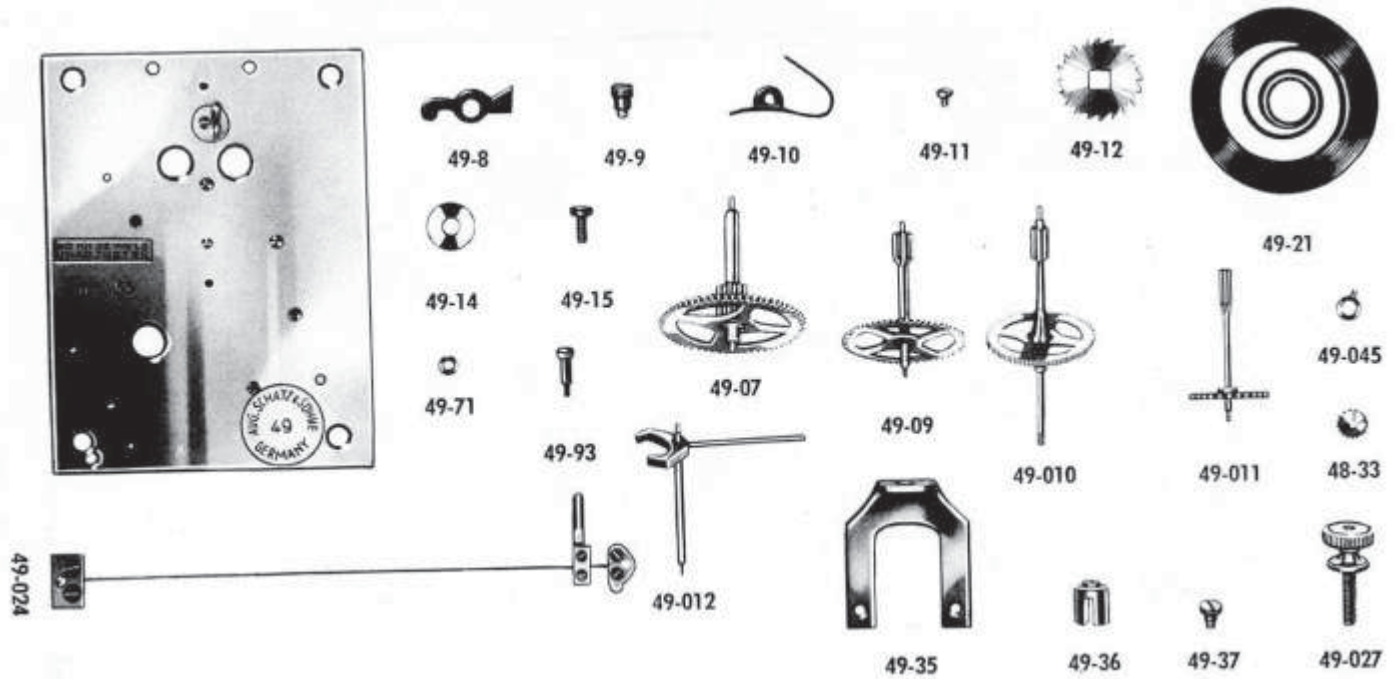


SCHATZ STANDARD 49



SCHATZ EL58P

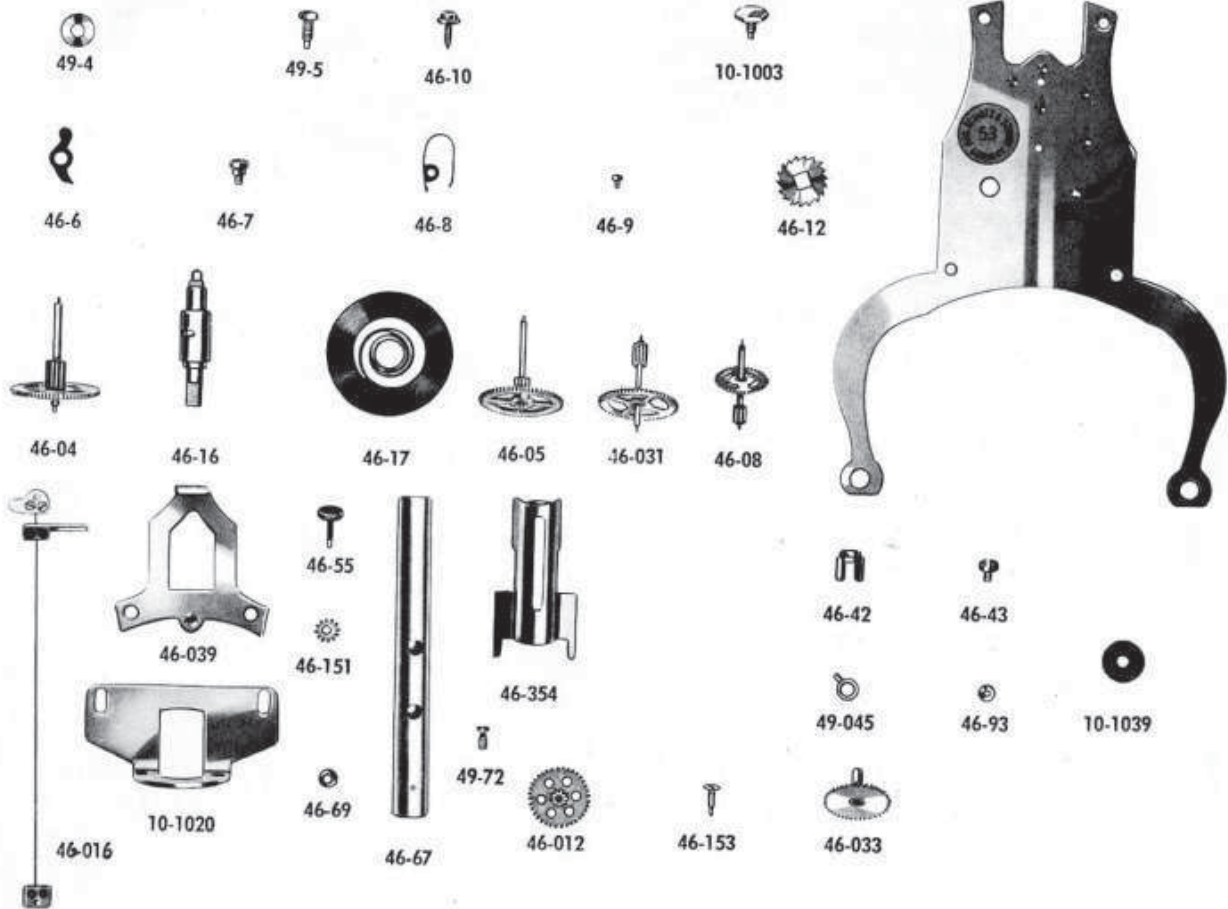


SEE PAGE 113

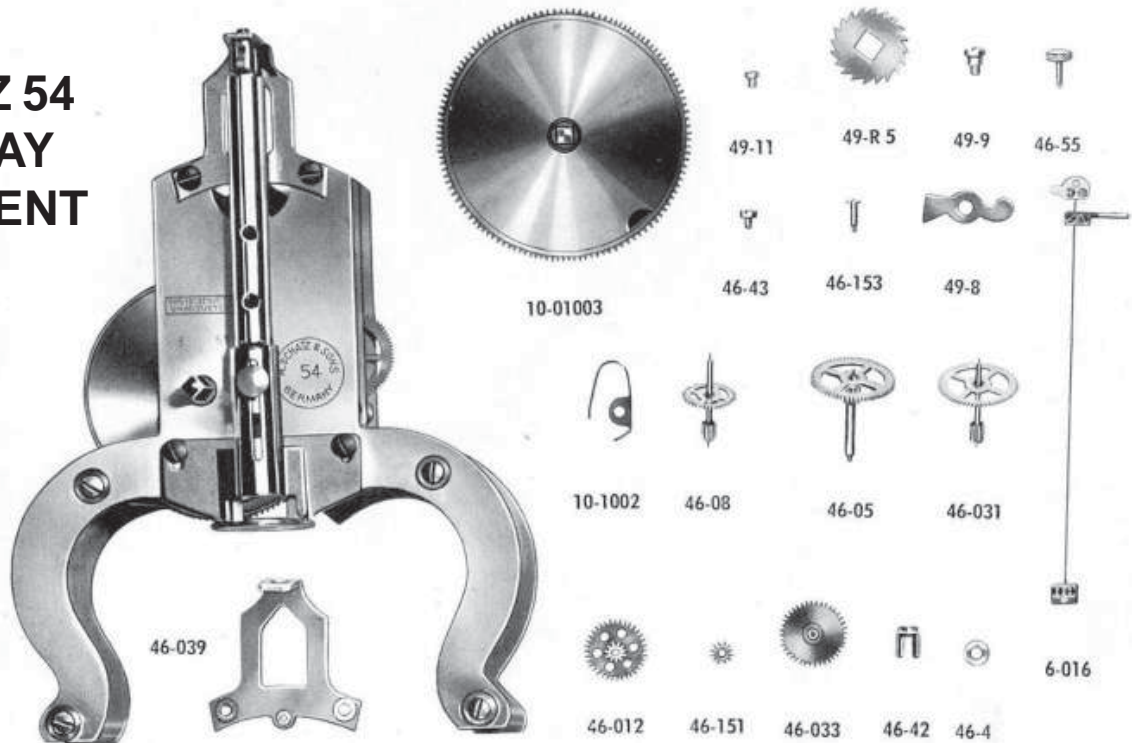
**CALL FOR PARTS
AVAILABILITY**

FACTORY SERVICE PARTS > SCHATZ

SCHATZ JUNIOR 53

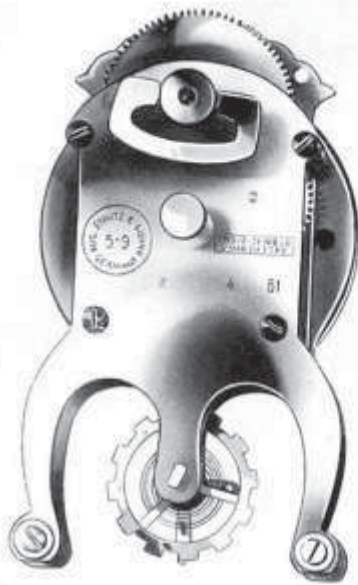


**SCHATZ 54
1000 DAY
MOVEMENT**



FACTORY SERVICE PARTS > SCHATZ

Schatz 59 Bambino



53-16



53-07



48-015



40-07



600-23



59-4



59-05



600-09



40-09



600-10



46-033



46-012



46-151



46-153



51-017



10-1039



46-610



51-44



46-43



59-13



59-14



59-19



46-5



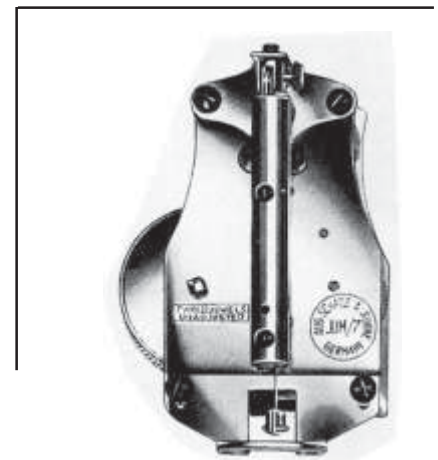
600-08



46-93



53-031



WE ALSO HAVE PARTS FOR SCHATZ JUM /7