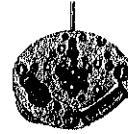
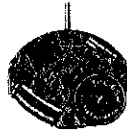


Cal. 7320A



125 738



☆221 732



231 736



261 735



271 732



281 735



282 735



☆354 735



383 735



384 735



389 735



391 736



491 546



701 736



766 735



4001 737



4002 736



4146 735



4216 735



4219 735



4239 736



4270 735



4271 735



4408 737



4450 735



4457 738



☆Maxell SR616SW



022 411



022 413

3/1

Cal. 7320A

Characteristics

Casing diameter : ϕ 15.1 mm
 Maximum height : 1.8 mm without battery
 Jewels : 5 j
 Frequency of quartz crystal oscillator : 32,768 Hz (Hz=Hertz Cycles per second)
 Driving system : Step motor (2 poles)
 Regulation system : Regulating switch lever
 Train wheel setting

PART NO.	PART NAME	PART NO.	PART NAME
125 738	Train wheel bridge	027 753	Setting lever pin
☆ 221 732	Center wheel & pinion	027 754	Pin for intermediate switch lever
☆221 734		027 755	Yoke pin
231 736	Third wheel & pinion	☆Maxell SR616SW	Silver oxide battery
261 735	Minute wheel	☆SEIKO TR616SW	Silver (II) oxide battery
☆ 271 732	Hour wheel		
☆271 734			
281 735	Setting wheel		
282 735	Clutch wheel		
☆ 354 735	Winding stem		
☆354 736			
383 735	Setting lever		
384 735	Yoke		
389 735	Setting lever spring		
391 736	Train wheel setting lever		
491 546	Dial washer		
701 736	Fifth wheel & pinion		
766 735	Intermediate minute wheel		
4001 737	Circuit block		
4002 736	Coil block		
4146 735	Step rotor		
4216 735	Insulator for battery		
4219 735	Battery connection insulator		
4239 736	Rotor stator		
4270 735	Battery connection (-)		
4271 735	Battery connection (+)		
4408 737	Circuit block spacer		
4450 735	Regulating switch lever		
4457 738	Circuit block cover		
011 325	Upper hole jewel for fourth wheel		
011 425	Upper hole jewel for fifth wheel		
011 425	Lower hole jewel for step rotor		
011 547	Upper hole jewel for third wheel		
011 568	Upper hole jewel for step rotor		
022 411	Train wheel bridge screw		
022 411	Circuit block cover screw		
022 411	Regulating switch lever screw		
022 411	Battery connection (+) screw		
022 413	Setting lever spring screw		
027 132	Tube for battery connection (+) screw		
027 133	Tube for regulating switch lever		
027 135	Tube for train wheel bridge		
☆027 136	Tube for circuit block cover screw (A)		
☆027 137	Tube for circuit block cover screw (B)		
027 666	Guide bush for setting lever spring		
027 752	Banking pin for battery		

☆ ⇨ Please see remarks on the reverse page.
 Part numbers in light letters are not shown in photos.

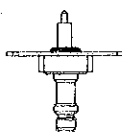
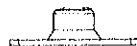
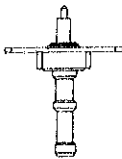

Cal. 7320A

Remarks:

Center wheel & pinion, Hour wheel

There are two different types as specified below.

Combination :

Type	Center wheel & pinion	Hour wheel
a	 ☆221 732	 ☆271 732
b	 ☆221 734	 ☆271 734

Tube for circuit block cover screw (A), Tube for circuit block cover screw (B)

Refer to the illustration below.



☆027 136



☆027 137

Winding stem

There are two types of winding stem.

Select a suitable one by referring to the design of the cases.

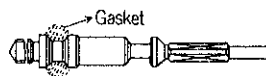
☆354 735 The gasket is fixed to the crown.

☆354 736 The gasket is fixed to the winding stem.

If the combination of the winding stem and case is unknown, check the case number and refer to "SEIKO Quartz Casing Parts Catalogue" to choose a corresponding winding stem.



☆354 735



☆354 736

Battery

☆SEIKO TR616SW } The substitutive battery might be added to the applied battery in the future.
 ☆Maxell SR616SW }

In that case please refer to separate "BATTERY LIST FOR SEIKO QUARTZ WATCHES".
 Note that SEIKO battery is marked with "SEIZAIKEN" on its (+) side.