

TECHNICAL GUIDE

AND PARTS LIST

CAL. Y709A

DIGITAL QUARTZ

CONTENTS

I. SPECIFICATIONS.....	1
II. DISASSEMBLING, REASSEMBLING AND LUBRICATING	2
1. Disassembling, reassembling and lubricating of the case.....	2
2. Disassembling and reassembling of the module.....	6
III. CHECKING AND ADJUSTMENT.....	9
1. Guide table for checking and adjustment.....	9
2. Relationship between the segment (Liquid Crystal Panel Electrode) and the C-MOS-LSI output terminal.....	10
3. Procedures for checking and adjustment.....	11
A. Check battery voltage.....	11
• How to check battery electrolyte leakage and repair.....	11
• Check pattern segment checking system	12
B. Check contact of C-MOS-LSI ~ Liquid crystal panel.....	12
C. Check liquid crystal panel and circuit block.....	13
D. Check current consumption	14
E. Check accuracy	15
F. Check functioning and adjustment	15
G. Check speaker block	15
H. Check bulb condition.....	17
I. Check conductivity of switch components.....	18
IV. PARTS LIST OF MODULE	19

I. SPECIFICATIONS

Item	Cal.No.	Y709A
Display medium		Nematic Liquid Crystal, FEM (Field Effect Mode)
Display system		<p>Four-function changeover system with time, stopwatch, alarm setting and time/calendar setting functions.</p> <ul style="list-style-type: none"> ● Time function: Digital display system showing hour, minute, second and day of the week. In the time function, calendar and time set for the alarm are displayed by depressing a button. ● Calendar: Digital display showing month, date, day of the week and "A" for AM/"P" (for PM). Time set for the alarm: Digital display showing hour, minute and "A" (for AM)/"P" (for PM). ● Stopwatch function: 12-hour digital display system showing hour, minute, second and 1/10 second. (The 1/10 second measurement is possible up to 20 minutes.) ● Alarm setting function: Alarm time can be set to operate at the desired minute and 12-hour (with "A" (for AM)/"P" (for PM) indication). ● Time/calendar setting function: Setting of the second, minute, hour ("A" (for AM)/"P" (for PM)), date, month and day of the week.
Additional mechanism		<ul style="list-style-type: none"> ● Alarm test system ● Time signal starts sounding every hour on the hour (When the minute digits and the second digits indicate "00".) ● Sounding device for confirmation of stopwatch operation ● Illuminating light ● Pattern segment light-up system
Crystal oscillator		32.768 Hz (Hz = Hertz..... Cycle per second)
Loss/gain		<p>Loss/gain at normal temperature range</p> <p>Mean monthly rate: less than 20 seconds (Annual rate: less than 4 minutes)</p>
Casing diameter		φ30.1 mm
Height		5.9 mm without battery
Operational temperature range		-10°C ~ +60°C (14°F ~ 140°F)
Regulation system		Trimmer condenser
Battery power		<p>Silver oxide battery Maxell SR1120W, U.C.C. 391</p> <p>Battery life: Approx. 1 year.</p> <p>Voltage: 1.55V</p>
IC (Integrated Circuit)		C-MOS-LSI..... 1 unit

II. DISASSEMBLING, REASSEMBLING AND LUBRICATING

1. Disassembling and reassembling of the case

Disassembling procedures Figs.:

① ~ ④

Reassembling procedures Figs.:

④ ~ ①

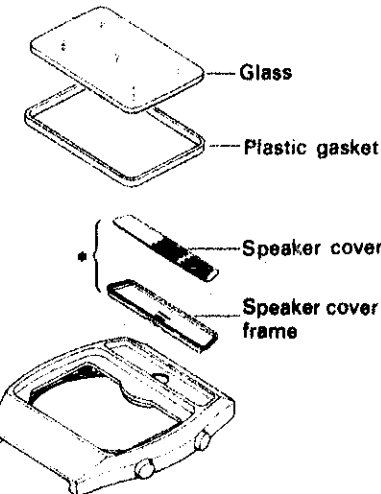
Lubricating:

Silicone grease (500,000 c.s.)

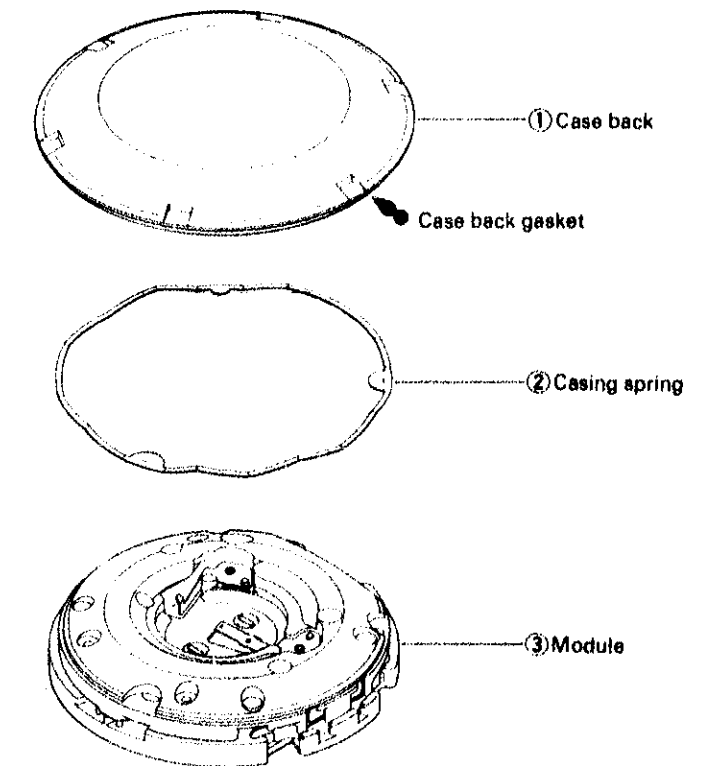
Normal quantity ●▶

Glass and speaker portions

It is not necessary to disassemble the glass and the speaker cover except when they are required to be replaced. (Refer to pages 4, 5 for handling them.)

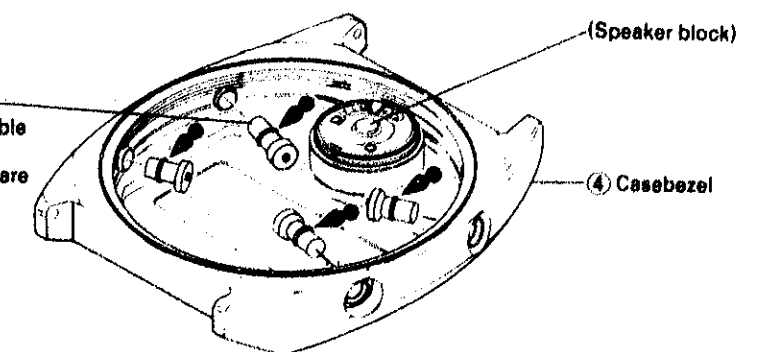


* Some are one piece with case bezel and cannot be separated.



(Time adjusting button)

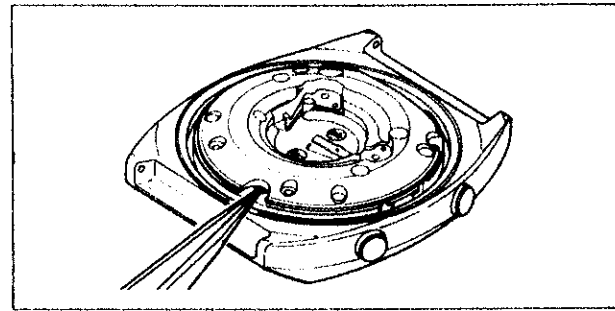
It is not necessary to disassemble the time adjusting buttons (4 assemblies) except when they are required to be replaced.



Remarks for disassembling

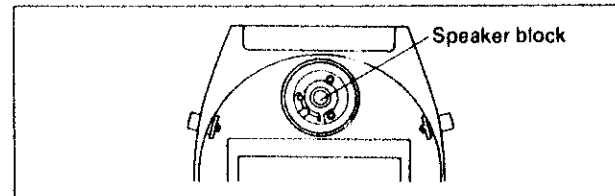
⑤ Module

- The liquid crystal panel frame is fixed firmly to the casebezel. Pry up the module with tweezers to take out.
(Do not pry up at the speaker portion; the terminals of the speaker coil may be broken.)



⑥ Casebezel

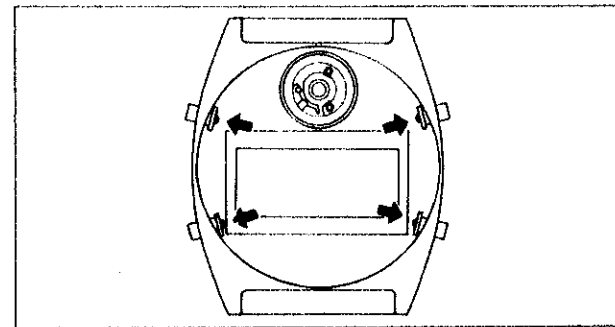
- The speaker block is set in the casebezel. (Refer to page 7 for disassembling procedures.)



Remarks for reassembling

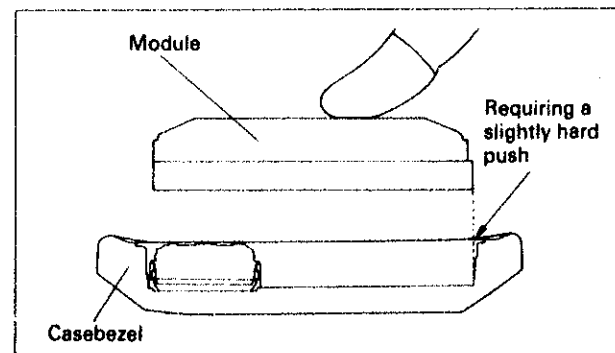
⑥ Casebezel

- Before reassembling the module pull out all buttons so that the switch springs do not prevent the module from being inserted. (Push the buttons from inside with tweezers.)



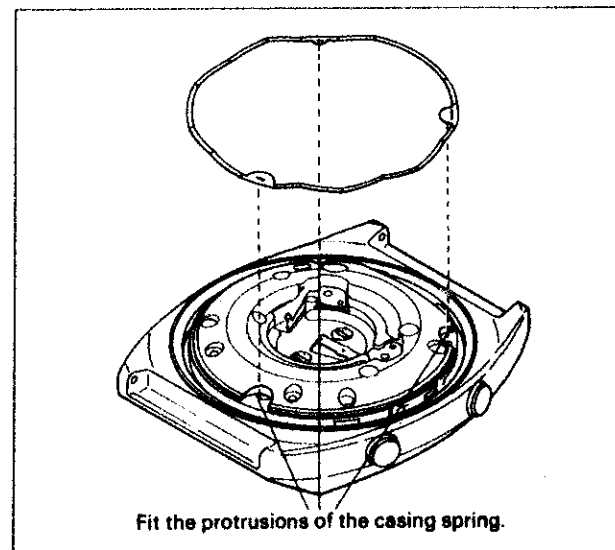
⑤ Module

- The liquid crystal panel frame is fixed firmly to the casebezel. Push in the module with fingers.
- Push it in so that it does not catch the buttons.



④ Casing spring

- Set the casing spring
Be careful not to mistake front for back.
(The casing spring has three protrusions, two of which are larger and one is smaller. Be sure to fit each of them to the corresponding notches of the module.)

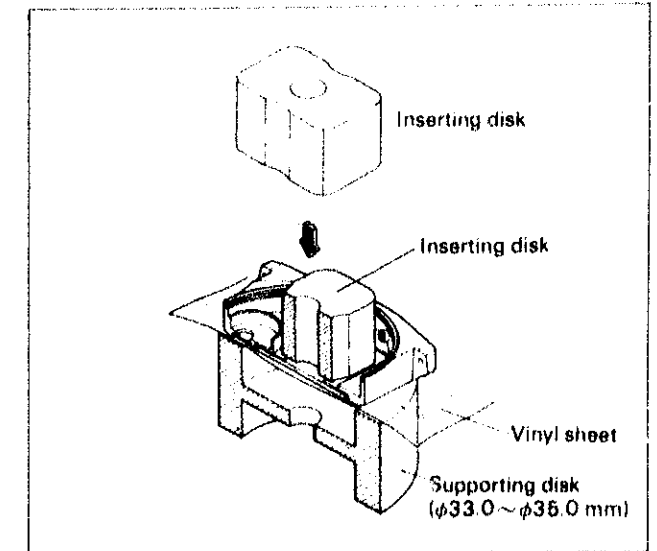


How to replace the glass

It is not necessary to disassemble the glass except when it is replaced.

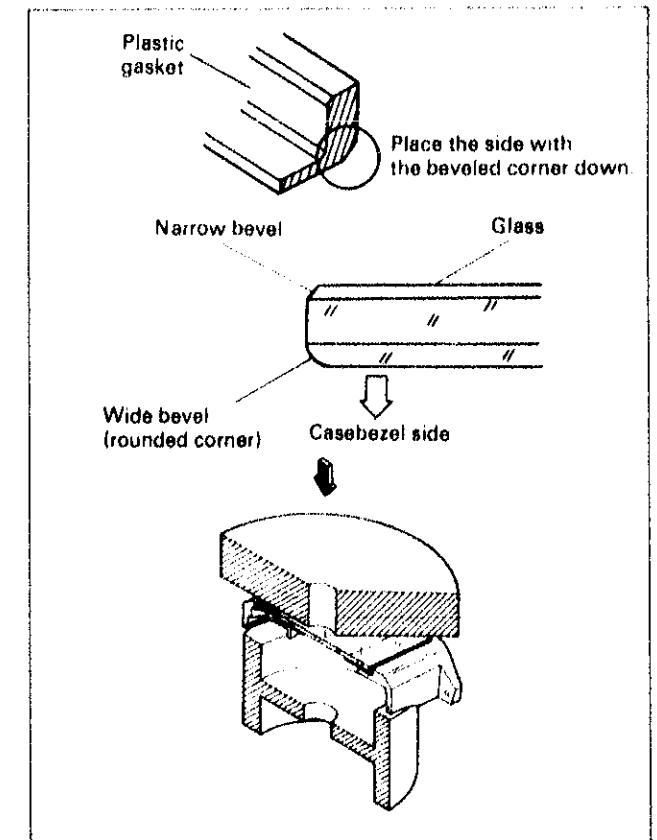
How to disassemble the glass

- Use the tightening tool if the glass cannot be removed with fingers.
Inserting disk
Supporting disk: $\phi 33.0 \sim \phi 35.0$ mm
- Place a vinyl sheet between the glass and the supporting disk as shown in the illustration on the right.



How to reassemble the glass

- 1) Set the plastic gasket.
 - Be sure to replace the plastic gasket with a new one.
 - Be careful not to mistake the upper side for the lower side.
- 2) Place the glass.
 - Be careful not to mistake the upper side for the lower side.
Place the round side down.
- 3) Push in the glass.
Inserting disk: Plastic inserting disk
Supporting disk: $\phi 28.0$ or $\phi 28.5$ mm



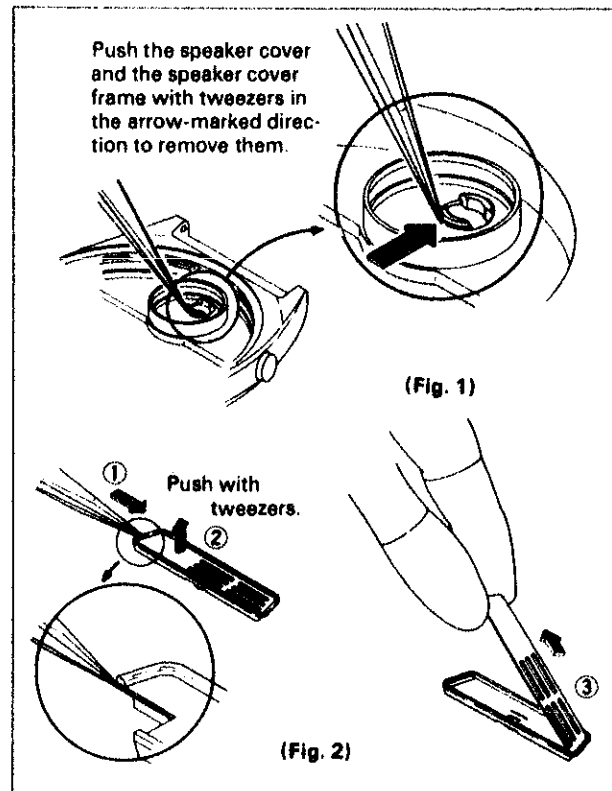
How to replace the speaker cover

(Some are in a body with frame and should not be removed.)

(The speaker cover and the speaker cover frame are set to the casebezel. It is not necessary to disassemble the speaker cover and the speaker cover frame except when they are required to be replaced.)

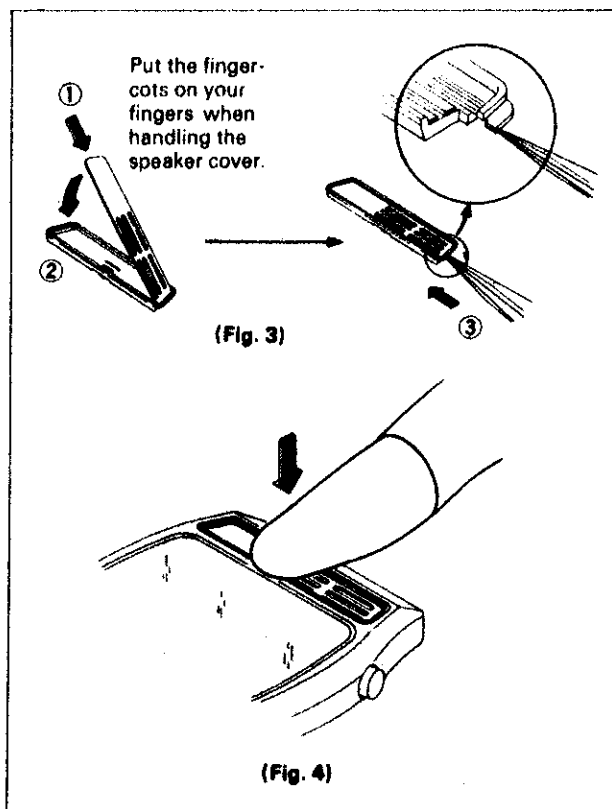
How to disassemble the speaker cover

- 1) Disassemble the speaker.
(Refer to page 7 for the disassembling procedures of the speaker.)
- 2) Disassemble the speaker cover by pushing it through the speaker hole inside the casebezel. The speaker cover and the speaker cover frame are removed together. (Fig. 1)
- 3) Remove the speaker cover as shown in Fig. 2.
Remove the speaker cover in the order of ①, ② and ③ as shown in Fig. 2.



How to reassemble the speaker cover

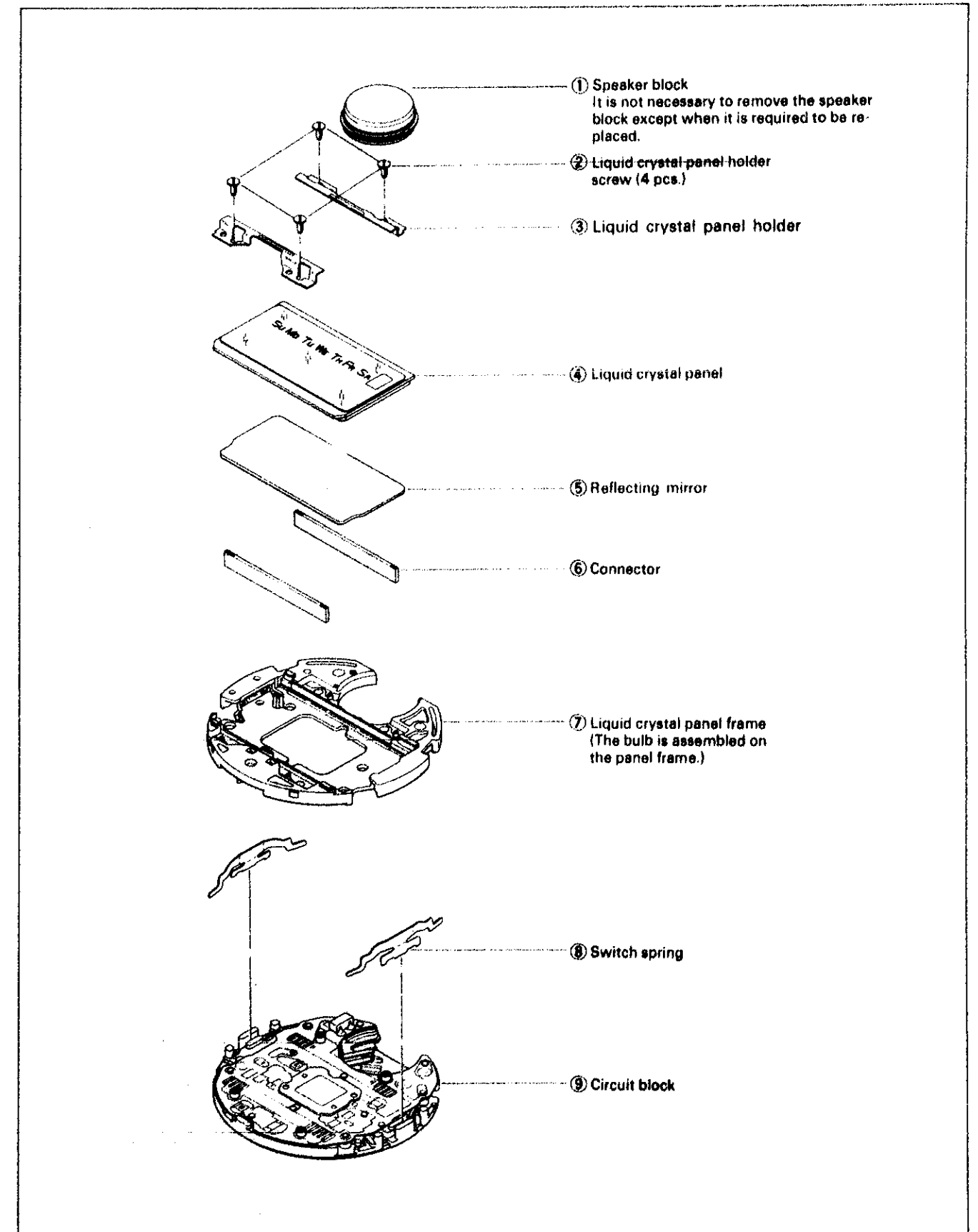
- 1) Set the speaker cover to the speaker cover frame.
Reassemble the speaker cover and the speaker cover frame in reverse order to the disassembling procedures. (Fig. 3)
The speaker cover frame can be reused, if not damaged.
- 2) Set the speaker cover and the speaker cover frame together to the casebezel.
Fit the leg portion of the speaker cover to the speaker hole portion of the casebezel and push it in. (Fig. 4)
If the speaker cover cannot be pushed in with fingers, place a vinyl sheet on it so as not to scratch and push it hard with the flat part of the end of the tweezers. (Fig. 4)



2. Disassembling and reassembling of the module

Disassembling procedures Figs.: ① ~ ⑨

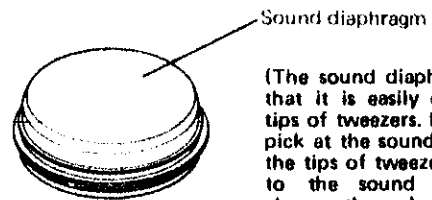
Reassembling procedures Figs.: ⑨ ~ ①



Remarks for disassembling

① Speaker block

- Hold the speaker block at its groove by the tips of tweezers and pull out the speaker block from the case bezel as shown in the illustration.
- Or pry out the speaker block by pushing up on its outer edge evenly with the tip of a screwdriver.



(The sound diaphragm is so thin that it is easily damaged by the tips of tweezers. Be careful not to pick at the sound diaphragm with the tips of tweezers. Any damage to the sound diaphragm will change the volume and tone of the alarm or cause poor water resistance.)

- When the speaker gasket is replaced, be careful not to mistake the upper side for the lower side. (Reassemble the speaker gasket with its round side turned up. Otherwise, the speaker gasket may be twisted.)

⑤ Reflecting mirror

- Be careful not to scratch or contaminate the reflecting mirror.

⑥ Connector

- The connectors may be disassembled together with the liquid crystal panel.
- Be careful not to scratch the connectors with tweezers.
- There is no difference between the top and bottom connectors.

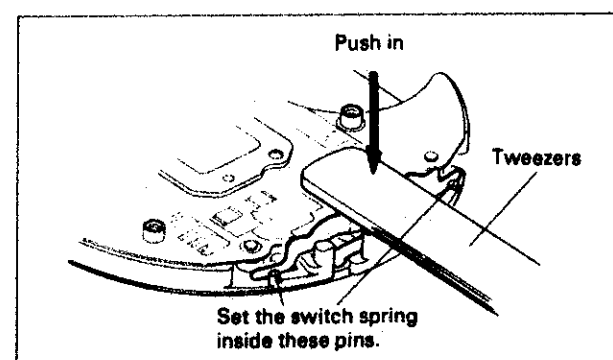
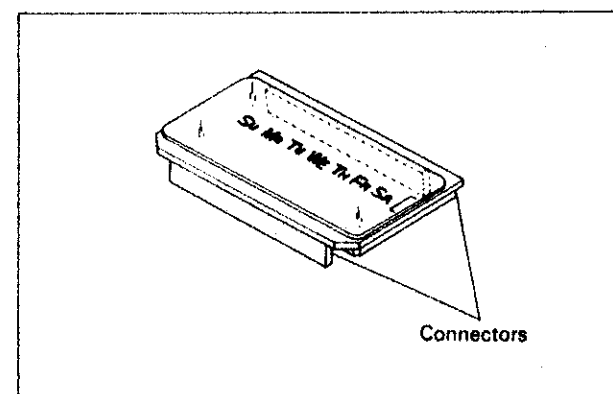
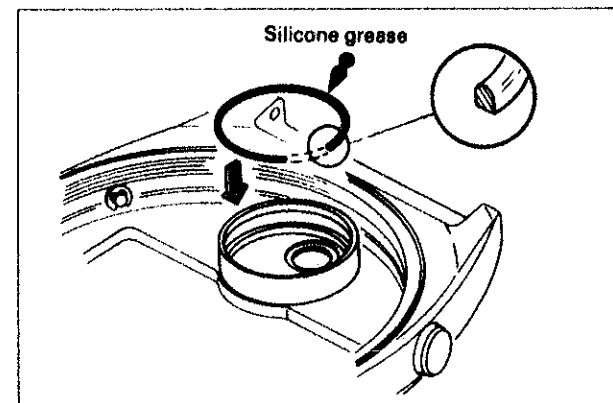
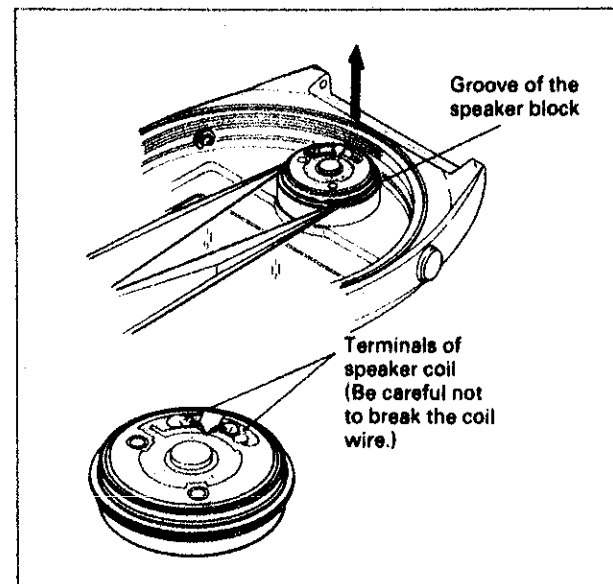
⑨ Circuit block

- Be careful not to touch the electronic parts except when it is required.

Remarks for reassembling

⑧ Switch spring

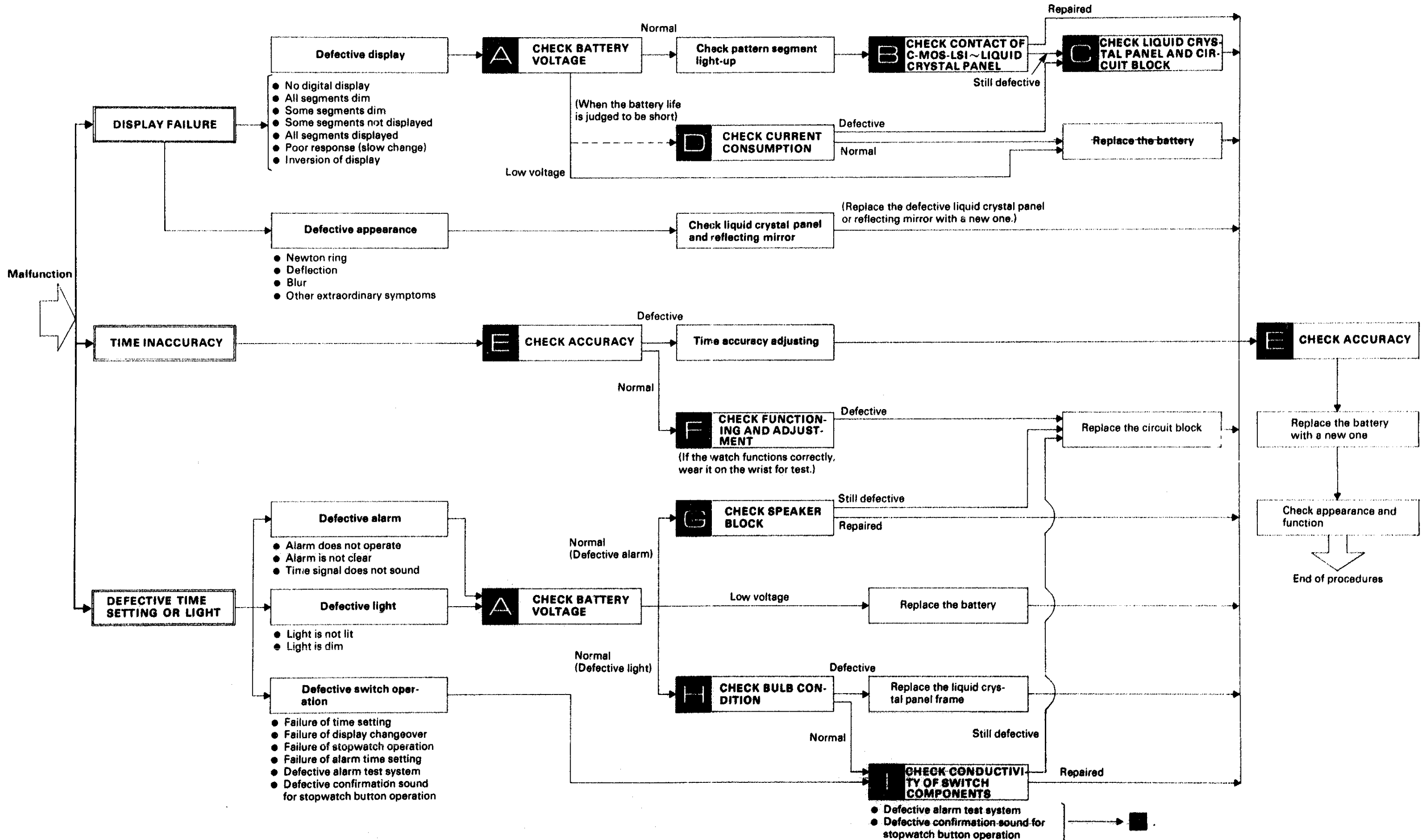
- Set the switch spring in position vertically from above.
- Push it in by the flat part of the end of the tweezers.



III. CHECKING AND ADJUSTMENT

Be sure to use the Static electricity protector when handling the module.

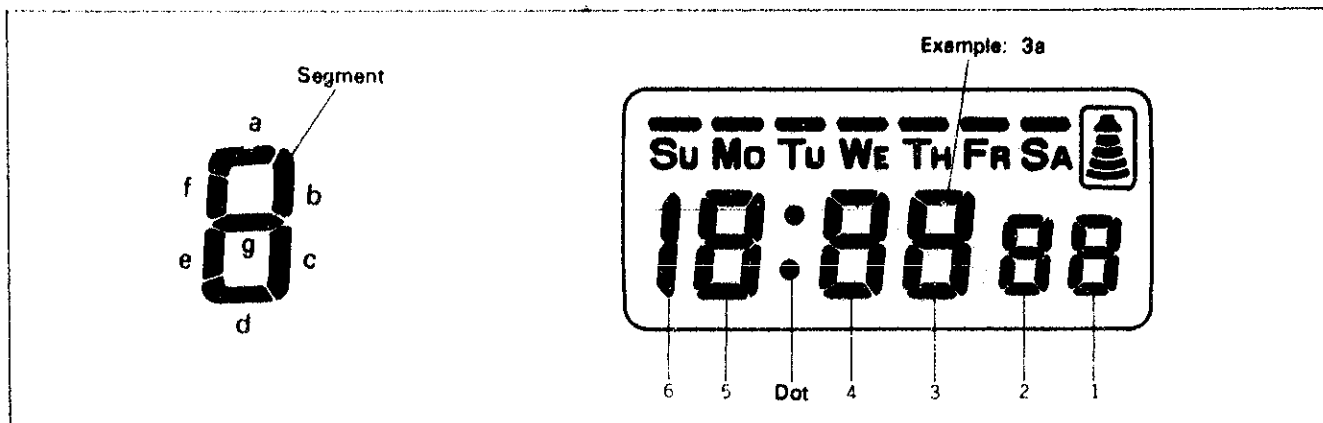
1. Guide table for checking and adjustment



2. Relationship between the segment (Liquid Crystal Panel Electrode) and the C-MOS-LSI output terminal

A complete knowledge of how the segment (Liquid Crystal Panel Electrode) works with the C-MOS-LSI output terminal will provide the proper procedures for checking and adjustment.

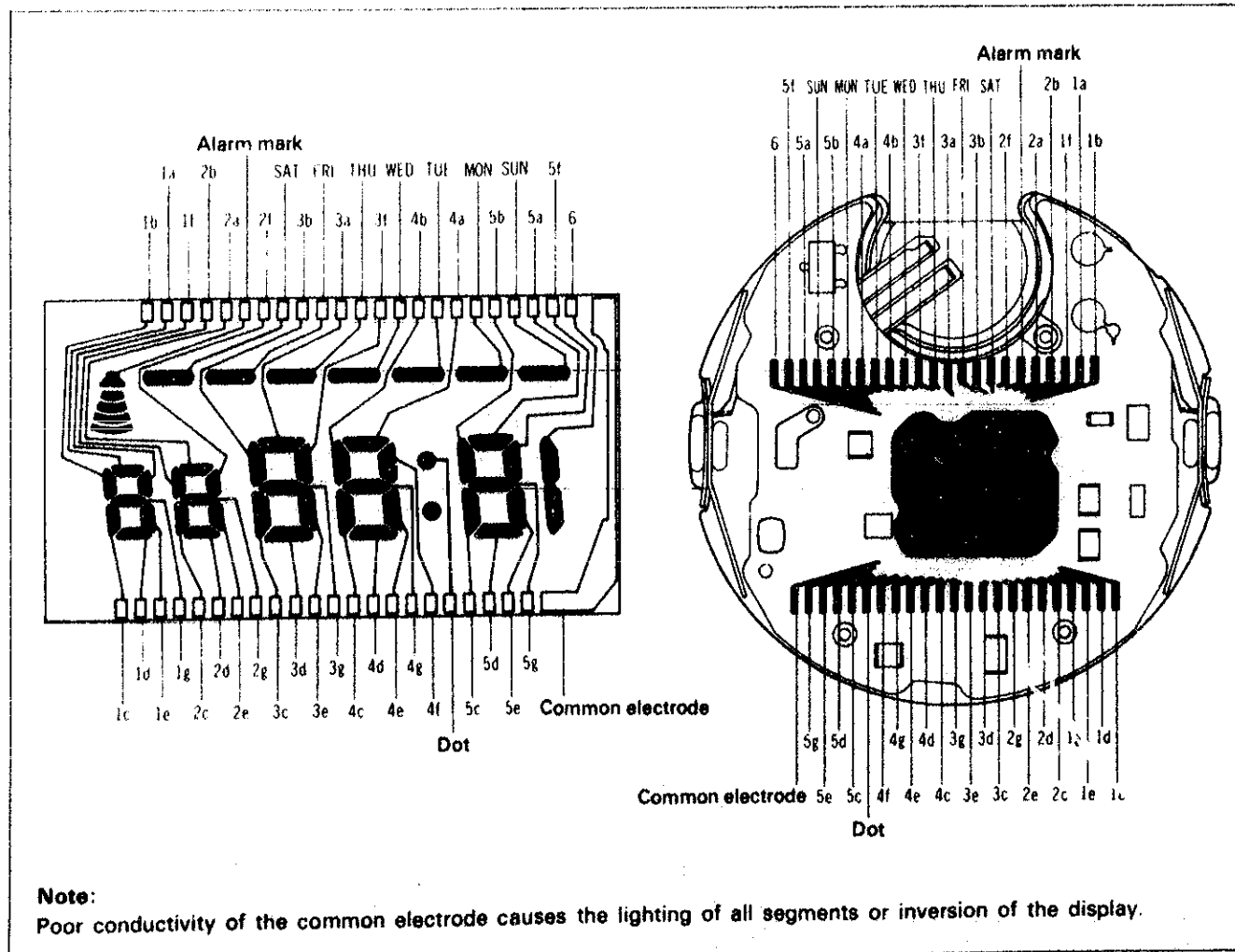
● Designation of segment



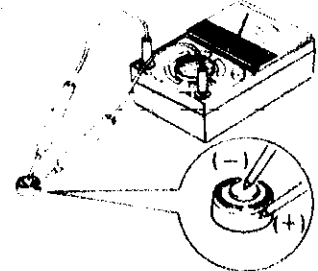
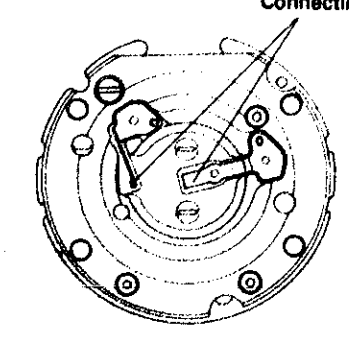
● Relationship between the segment and the C-MOS-LSI output terminal

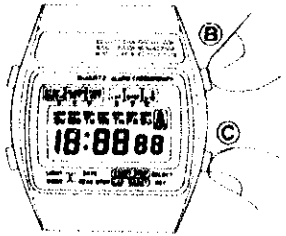
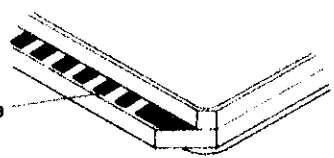
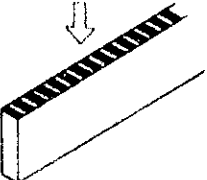
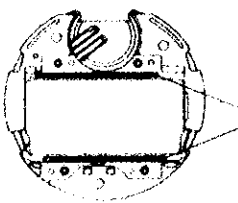
The liquid crystal panel electrode is connected electrically with each segment which forms a digital figure as shown in the illustration of the panel pattern below. (The panel pattern can be seen if the panel is slightly tilted and looked at in an angular position.)

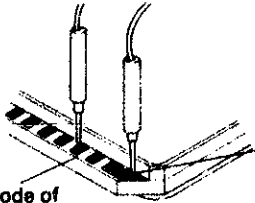
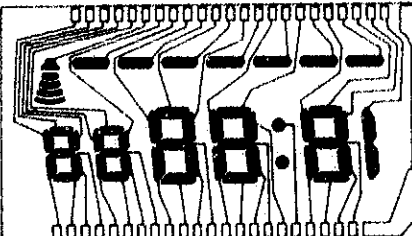
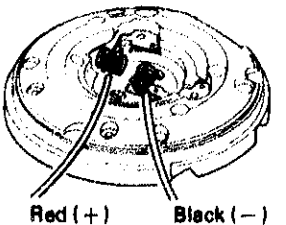
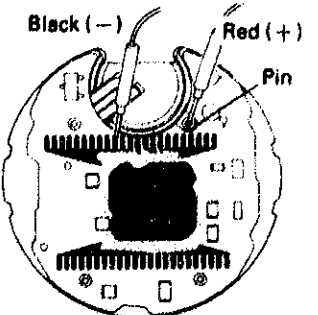
Also, the liquid crystal panel electrode is connected electrically with the C-MOS-LSI output terminal by the connector.

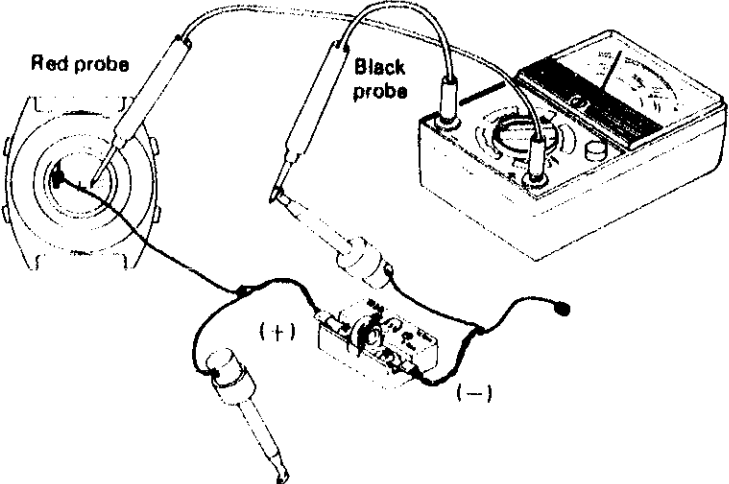
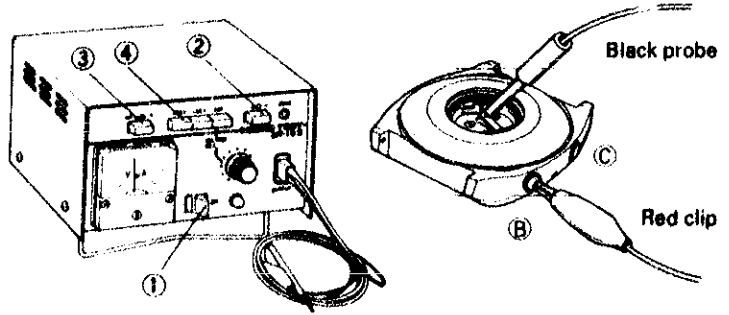


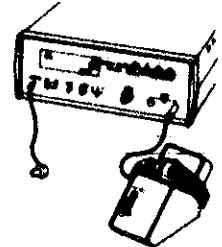
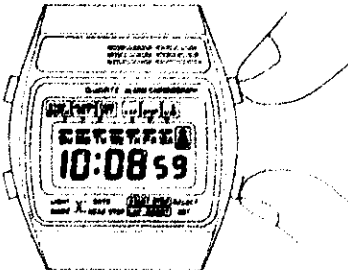
3. Procedures for checking and adjustment

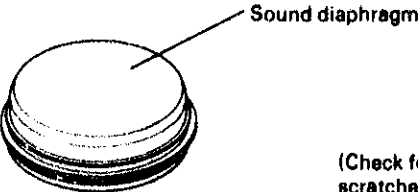
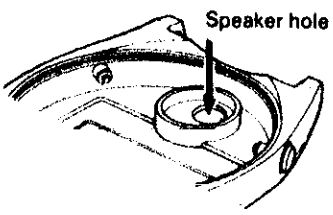
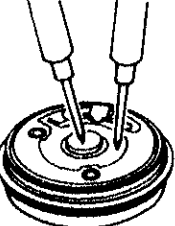
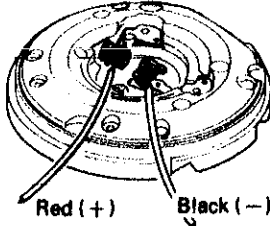
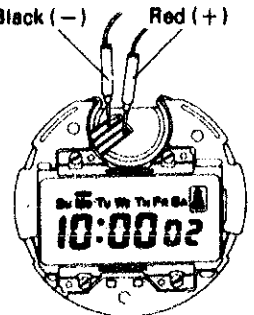
	Procedure	Result and repair
△ CHECK BATTERY VOLTAGE	<p>Use the following procedures to check battery voltage.</p> <p>(1) Set up the Volt-ohm-meter. Range to be used: DC 3V</p> <p>(2) Measuring Probe Red (+) ... Battery surface (+) Probe Black (-) ... Battery surface (-)</p>  <p>When there is battery electrolyte leakage, refer to "HOW TO CHECK BATTERY ELECTROLYTE LEAKAGE AND REPAIR" below for repairing.</p>	<p>More than 1.5V: Normal Less than 1.5V: Defective</p>
HOW TO CHECK BATTERY ELECTROLYTE LEAKAGE AND REPAIR	<p>(1) Remove the module from the case. (2) Disassemble the module. (3) Wipe off battery electrolyte on the circuit block.</p> <p>1. Wipe off battery electrolyte with a cloth moistened with distilled water. If distilled water is not available, use tap water.</p> <p>Note:</p> <ul style="list-style-type: none"> ● Do not expose the trimmer condenser to water or alcohol, and if it is exposed, there may be a change in its capacity and eventually in the time accuracy. ● Do not use a cloth which gives off lint such as gauze, flannel, etc. ● When the circuit block is cleaned, be sure to clean the connecting portions.  <p>2. Rinse with alcohol. (If the cleaned portions remain wet with water, they will corrode with rust.)</p> <p>3. Dry with cool air by using a dryer.</p> <p>If the circuit block is badly contaminated with battery electrolyte, replace the circuit block with a new one.</p> <p>Ex.</p> <ul style="list-style-type: none"> ● When the circuit block is rusted. ● When even the liquid crystal panel side is contaminated with battery electrolyte. 	

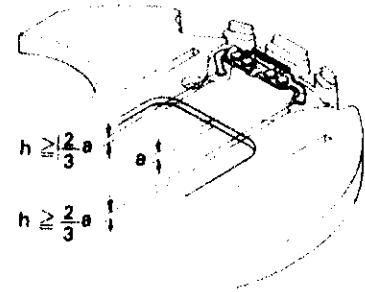
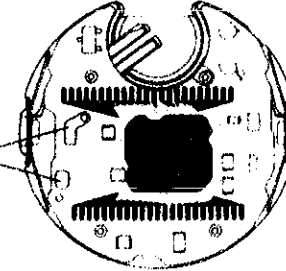
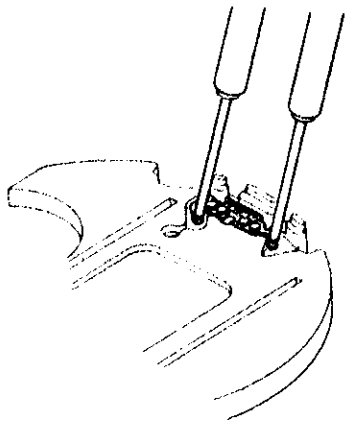
	Procedure	Result and repair
HOW TO CHECK BATTERY ELECTROLYTE LEAKAGE AND REPAIR	<p>(4) Clean the other parts. (Switch spring, etc.)</p> <ol style="list-style-type: none"> Wipe off battery electrolyte on the other parts with a soft brush moistened with distilled water. (If distilled water is not available, use tap water.) Rinse with alcohol. Dry with cool air by using a dryer. <p>(5) Reassemble the module. Replace the battery with a new one.</p> <p>(6) Check to see if the time and calendar function, the stopwatch function, the calendar function and the current consumption are normal.</p>	
CHECK PATTERN SEGMENT CHECKING SYSTEM	<p>If some segments are dead or dim, set the mode for the time and calendar setting functions. Then depress buttons B and C together to find the defective segments. (If there is no defective segment, all segments light up.)</p> 	Proceed to B .
CHECK CONTACT OF C-MOS-LSI ~ LIQUID CRYSTAL PANEL	<p>After removing the liquid crystal panel, check for poor conductivity of the liquid crystal panel, connector and C-MOS-LSI output terminal whose segments are found to be defective in "CHECK PATTERN SEGMENT CHECKING SYSTEM". (Refer to "Relationship between the segment and the C-MOS-LSI output terminal" on Page. 10.) Use a microscope for checking.</p> <p>(1) Check for dust, lint and other contamination on the liquid crystal panel electrode.</p>  <p>Liquid crystal panel electrode</p> <p>(2) Check for any contamination, scratches, cracks and breaks of the connector.</p>  <p>Be sure to check the connecting portion of the liquid crystal panel and the circuit block carefully.</p> <p>(3) Check for dust, lint and other contamination on the output terminal of the circuit block.</p>  <p>Output terminal of the circuit block</p>	<p>Uncontaminated: Normal Proceed to B (2). Contaminated: Defective Wipe off any foreign matter.</p> <p>No contamination, scratches, cracks, or breaks: Normal Proceed to B (3). Contaminated: Defective Clean. Scratched, cracked or broken: Defective Replace the connector with a new one.</p> <p>Uncontaminated: Normal Proceed to C. Contaminated: Defective Wipe off any foreign matter.</p>

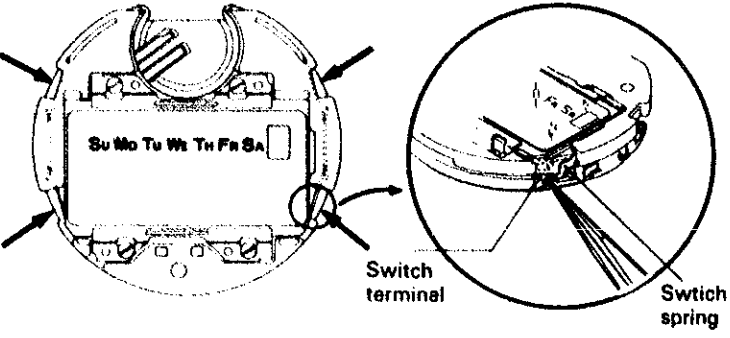
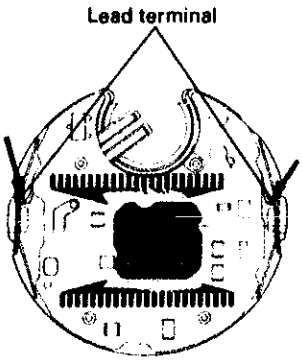
	Procedure	Result and repair
CHECK LIQUID CRYSTAL PANEL AND CIRCUIT BLOCK	<p>Check to see if the liquid crystal panel and the circuit block function correctly. (Refer to "Relationship between the segment and the C-MOS-LSI output terminal on page 10.)</p> <p>(1) Check liquid crystal panel.</p> <ol style="list-style-type: none"> Set up the Volt-ohm-meter. Range to be used: OHMS $R \times 1 \sim R \times 1K$ <div style="border: 1px solid black; padding: 5px; margin: 10px 0;"> <p>Note: Any range will do if more than 3V is applied to the probes of the volt-ohm-meter. If less than 3V is applied to the probes, all segments may not be lit. Change the range to the one ($R \times 10K$) which is higher in resistance than $R \times 1K$.</p> </div> <ol style="list-style-type: none"> Remove the liquid crystal panel from the module and turn it upside down. Measuring (Check to see if the corresponding segment lights up.)  <p>Electrode of defective segment</p> <p>Note: Either red or black probe will do.</p> <p>Common electrode (Either red or black probe must be applied to the common electrode.)</p>  <p>(2) Check the circuit block output voltage.</p> <ol style="list-style-type: none"> Set up the Volt-ohm-meter. Range to be used: DC 3V Attach the electricity supplier to the circuit block. Spring (+): Plus terminal of battery connection Spring (-): Battery connection Measuring Probe Red (+): Pin for the liquid crystal panel holder screw of the circuit block (Shown in the right illustration.) Probe Black (-): Each portion of the output terminal of the C-MOS-LSI. (If some displays are defective, apply to the corresponding output terminals of the C-MOS-LSI.)  <p>Red (+) Black (-)</p>  <p>Black (-) Red (+) Pin</p>	<p>Lights up: Normal Proceed to B (2). Does not light up: Defective Replace the liquid crystal panel with a new one.</p> <p>More than 0.8V: Normal (All the terminals must be more than this range of voltage.) Return to B. Less than 0.8V: Defective Replace the circuit block with a new one and check to see if it functions correctly.</p>

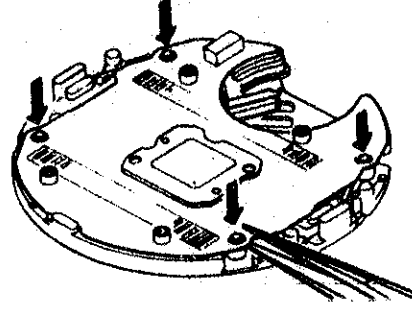
Procedure	Result and repair
<p>D Check to see if the current consumption is normal. (Can be checked no matter which function the watch may be performing.)</p> <ul style="list-style-type: none"> ● Volt-ohm-meter Range to be used: DC 12 μA or DC 0.03 mA* Use the electricity supplier and connect as shown in the illustration below.  <ul style="list-style-type: none"> ● Micro Test Set up the Micro Test*. 1. Power switch: ON 2. Polarity changeover button: + 3. Current consumption/Voltage indication button: μA 4. Voltage selection button: 1.55V Probe Black (-): Battery connection Clip Red (+): Button (except the light button)  <p>Apply the red clip (+) to button B or C for measuring.</p> <p>Be careful not to depress the button while measuring.</p>	<p>*Note: If the pointer of the Volt-ohm-meter swings over the maximum value when DC 12 μA or DC 0.03mA is used, change the range to a greater one where the pointer does not run over the maximum value while applying the probes to the respective portions. Then, after two or three seconds, return the range to DC 12 μA or DC 0.03mA again for measuring.</p> <p>Less than 3.0 μA: Normal Replace the battery with a new one. More than 3.0 μA: Defective Proceed to C.</p> <p>*Note: If the pointer of the Micro Test swings over the maximum value while the current consumption is measured, depress the Current consumption/Voltage indication button ③ so that it is released to indicate the voltage (1.5V) while the black probe and the red clip are applied. Then, after two or three seconds, depress the Current consumption/Voltage indication button again so that it holds in the pushed-in position (μA) to indicate the current consumption for measuring.</p>

Procedure	Result and repair
<p>E Check gain and loss of time.</p> <ol style="list-style-type: none"> 1. Set up the Quartz Tester. As there are several types of Quartz Testers, refer to the respective instruction manual. 2. Measuring 	<p>If the watch tends to gain or lose, proceed to Time accuracy adjusting. Time accuracy is adjusted by turning the trimmer condenser.</p>
<p>F Check FUNCTIONING AND ADJUSTMENT</p> <ol style="list-style-type: none"> 1. Check the stopwatch function. Check to see if "start", "stop", "lap", "lap release" and "reset" function correctly. 2. Check the alarm time setting function: Rotate the hour and minute more than one cycle and check to see if the digits are advancing correctly. 3. Check the time and calendar setting function. Rotate the time and calendar digits more than one cycle for each unit and check to see if each digit is advancing correctly. 	<p>Functions correctly and can be adjusted: Normal</p> <p>Wear the watch on the wrist to check time accuracy. Does not function correctly or cannot be adjusted: Defective</p> <p>Proceed to Replace the circuit block.</p>
<p>G Check SPEAKER BLOCK</p> <ol style="list-style-type: none"> (1) Check to see if the speaker sounds the alarm correctly. Check to see if the speaker sounds when the watch is in the time function and when the two buttons on the right side are depressed together. 	<p>Speaker sounds: Normal</p> <p>Set the alarm time and if the alarm does not operate at the required time, proceed to Replace the circuit block. Speaker does not sound or it sounds but not clear: Defective</p> <p>Proceed to G (2).</p>

Procedure	Result and repair
<p>G (2) Check for any dust and scratches on the sound diaphragm of the speaker block.</p>  <p>(Check for any dust and scratches on the sound diaphragm.)</p> <p>Note: Make sure that the speaker hole isn't clogged with dust.</p> 	<p>No dust or scratches: Normal Proceed to G (3). Dust: Defective Wipe off any foreign matter lightly with a cloth moistened with cleaning solution. Scratched: Defective Replace speaker block.</p>
<p>(3) Check for any broken coil wire and short-circuit of the coil of the speaker block.</p> <ol style="list-style-type: none"> Set up the Volt-ohm-meter. Range to be used: OHMS R × 1 Measuring  <p>Apply the probes of the Volt-ohm-meter to the lead terminal of the speaker block.</p> <p>Note: Be careful not to break the coil wire when the probes are applied to the coil terminal.</p>	<p>Resistance: 30Ω ~ 150Ω: Normal Proceed to G (4). Less than 30Ω or more than 150Ω: Defective Replace speaker block.</p>
<p>(4) Check to see if the output signal of the circuit block is transmitted to operate the speaker block.</p> <ol style="list-style-type: none"> Set up the Volt-ohm-meter. Range to be used: DC 3V Attach the electricity supplier to the module. ● Prepare the alarm for sounding by pushing the switch spring. Measuring Apply the probes of the Volt-ohm-meter to the output terminals for speaker of the circuit block as shown in the illustration on the right. Check to see if the pointer of the Volt-ohm-meter swings twice every second.  	<p>Swings: Normal Replace speaker block. Does not swing: Defective Replace circuit block.</p>

Procedure	Result and repair
<p>H (1) Check to see if the bulb lead terminals touch the lead terminal of the circuit block.</p> <ol style="list-style-type: none"> Check to see if the two bulb lead terminals protrude by more than 0.3 mm from the back side of the liquid crystal panel frame. Check for any dust, lint and other contamination of the bulb lead terminal. Protrusion "h" of the bulb lead terminal should be two-thirds or more of the thickness "a" of the liquid crystal panel frame.  <p>(2) Check for any contamination on the bulb lead terminal of the circuit block.</p>  <p>Bulb lead terminal</p> <ol style="list-style-type: none"> Check to see if there is a broken filament in the bulb and if there is any break in the welded portion of the bulb lead terminal. <ol style="list-style-type: none"> Set up the Volt-ohm-meter. Range to be used: OHMS R × 1 Measuring Apply the two probes of the Volt-ohm-meter to the bulb lead terminal as shown in the illustration.  <p>Note: Either red or black probe will do.</p>	<p>Protrudes by more than 0.3 mm: Normal Protrudes by less than 0.3 mm: Defective Pull out by using tweezers.</p> <p>No dust, lint or uncontaminated: Normal Proceed to H (2). Dust, lint or contaminated: Defective Wipe off any foreign matter.</p> <p>Bulb lights up: Normal Proceed to H. Bulb does not light up: Defective Replace the liquid crystal panel frame.</p>

	Procedure	Result and repair
1	<p>Check to see if the switch spring functions correctly.</p> <p>(1) Check to see if the switch springs (four arrow-marked portions shown in the illustration below) function correctly when they are pushed in.</p> <p>1. Check to see if the four arrow-marked springs touch the switch terminals of the circuit block when they are pushed in with the tips of tweezers and that they do not touch the switch terminals of the circuit block when released.</p>  <p>2. Check for dust, lint and other contamination on the contacting portions.</p>	<p>Functions correctly: Normal</p> <p>Does not function correctly: Defective</p> <p>If the switch springs do not function correctly after the switch springs are set correctly, replace the switch springs with new ones.</p> <p>No dust, lint or uncontaminated: Normal</p> <p>Proceed to (2).</p> <p>Dust, lint or contaminated: Defective</p> <p>Wipe off any foreign matter.</p> <p>Touch: Normal</p> <p>Do not touch: Defective</p> <p>Adjust by using tweezers so that the lead terminal of the circuit block touches the switch spring.</p>
	<p>(2) Check to see if the switch springs touch the lead terminal of the circuit block.</p> <p>1. Check to see if the two arrow-marked portions touch correctly when the liquid crystal panel frame is removed.</p>  <p>2. Check for dust, lint and other contamination on the connecting portions.</p>	<p>No dust, lint or uncontaminated: Normal</p> <p>Proceed to (3).</p> <p>Dust, lint or contaminated: Defective</p> <p>Wipe off any foreign matter.</p>

	Procedure	Result and repair
1	<p>(3) Check to see if the pins for the switch terminals are fixed firmly in the circuit board. Check to see if the four arrow-marked pins for the switch terminals are fixed firmly in the circuit board by slightly lifting the circuit board with tweezers as shown in the illustration on the right.</p> 	<p>Fixed firmly: Normal</p> <p>Replace circuit block. (Defective C-MOS-LSI)</p> <p>Not fixed firmly: Defective</p> <p>Replace circuit block (The pins for the switch terminals are not fixed firmly.)</p> <p>Defective alarm test system or functioning sounds of stopwatch buttons indicate they do not function correctly:</p> <p>Proceed to G</p>

All procedures of Disassembling and Reassembling, and Checking and Adjustment are completed.

IV. PARTS LIST OF MODULE

Cal. Y709A			
PART NO.	PART NAME	PART NO.	PART NAME
4001 987	Circuit block		
4033 860	Liquid crystal panel frame (with bulb)		
4245 860	Switch spring		
4313 860	Connector		
☆ 4510 980	Liquid crystal panel		
4521 550	Reflecting mirror (Silver)		
4540 860	Liquid crystal panel holder		
4580 861	Speaker block		
022 493	Liquid crystal panel holder screw		
☆ Maxell SR1120W	Silver oxide battery		
☆ U.C.C. 391			

Remarks:

Liquid crystal panel
 ☆ 4510 980 Be sure that the combination between the color of panel cover and liquid crystal panel should be matched.

Battery
 ☆ Maxell SR1120W } Additional batteries for this calibre might be added as substitutes in the future.
 ☆ U.C.C. 391 }

☆ ○ Please see remarks.